

04609 REV	DATE	REVISION RECORD	DWN	AUTH
-	01-07-10	Draft	PAC	

OUTPUT

Frequency

11.065 MHz

Level

+13 ±2 dBm into 50 ohms

STABILITY

Aging

5 x 10⁻¹⁰ per day
after 30 days operating, typical

Phase Noise L(f)

10 Hz -120 dBc/Hz
100 Hz -150 dBc/Hz
1 kHz -165 dBc/Hz
10 kHz -165 dBc/Hz

Temperature Stability

±5 x 10⁻⁹, 0° to +50°C (Ref +25°C)

MECHANICAL

Dimensions

2 x 2 x 1"

Connectors

SMA(f) and feedthru capacitor

Packaging

Sealed steel can

POWER REQUIREMENTS

Warm-Up Power

≤ 5 Watts for 5 minutes

Total Power

≤ 2.2 Watts at +25°C

Supply Voltage

+15 VDC ±5%

ADJUSTMENT

Mechanical Tuning

±1 x 10⁻⁶

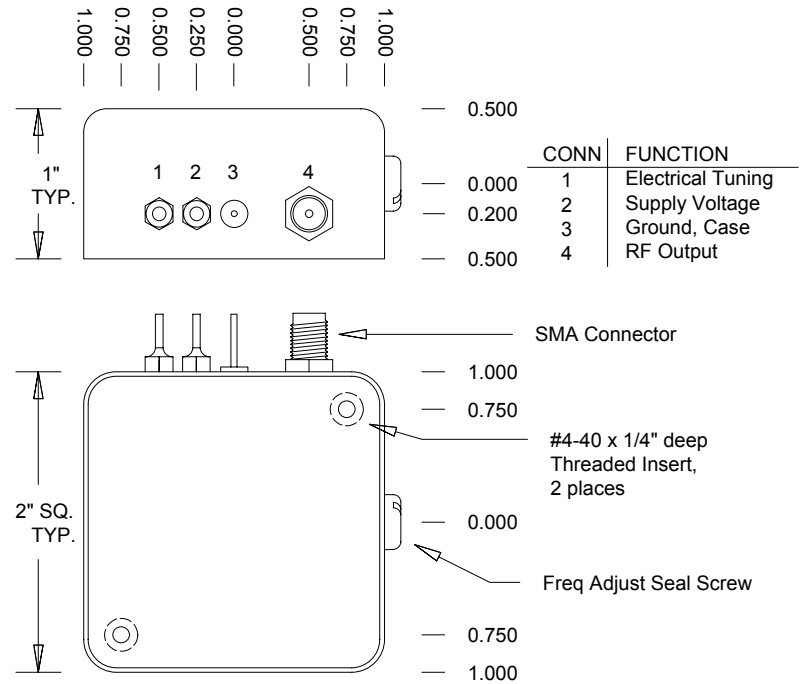
Electrical Tuning

±2 x 10⁻⁷, ±5 VDC
Negative slope

CRYSTAL

Type

11.065 MHz SC-cut



Connector numbers are for reference only, they are not marked on unit.



Wenzel Associates, Inc.

Austin, Texas

Title:

11.065 MHz-SC Streamline Crystal Oscillator

P/N:

500-21907

Rev:

-

Date:

01-07-10

Drawn:

Ref:

Tolerances:
(except as noted)
Dimensions are in inches

0.XX Dec:

±0.030"

0.XXX Dec:

±0.010"

FSCM:

62821

Page 1 of 1