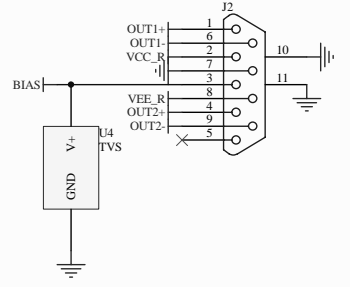
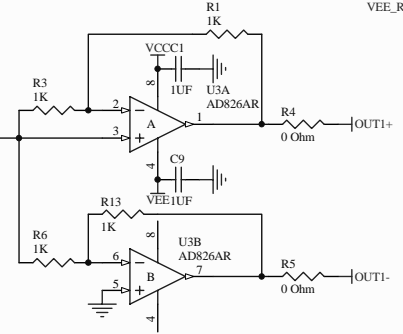
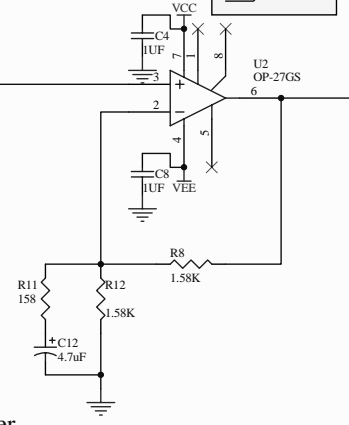
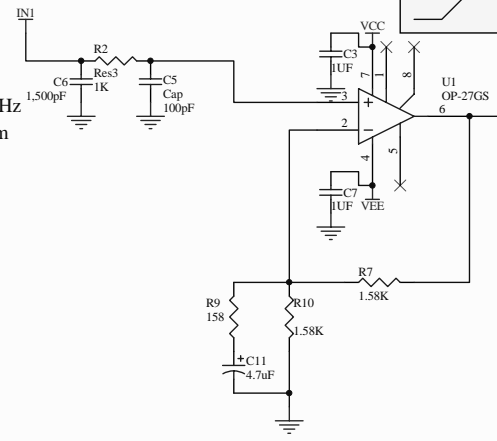
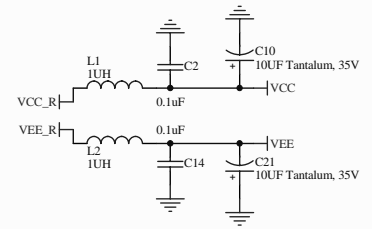


Cap makes 100KHz pole with 1K Ohm external resistor

Whitening Filter
Z= 20Hz, P= 200Hz

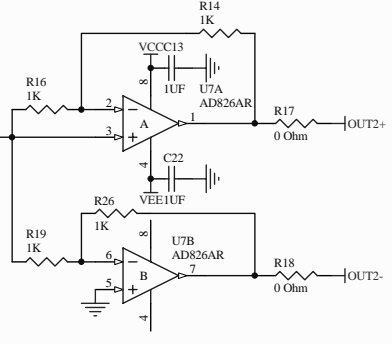
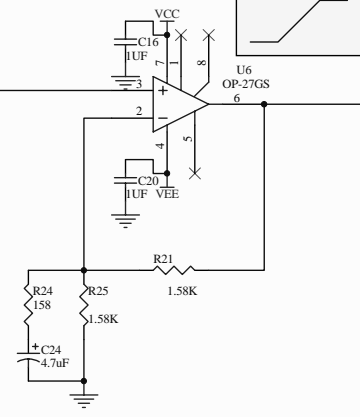
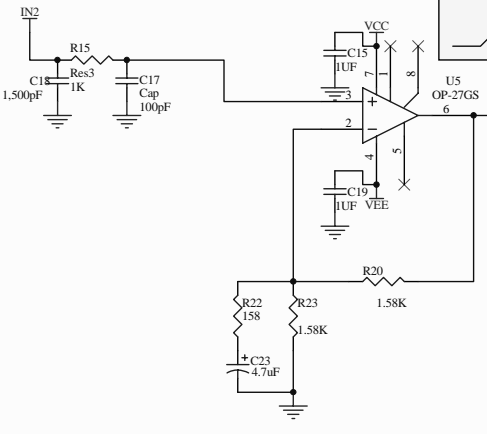
Whitening Filter
Z= 20Hz, P= 200Hz



Cap makes 100KHz pole with 1K Ohm external resistor

Whitening Filter
Z= 20Hz, P= 200Hz

Whitening Filter
Z= 20Hz, P= 200Hz



Title *			
Size: A	DCC Number: *		Ligo Project California Institute of Technology Massachusetts Institute of Technology
Drawn by: Ben Abbott	Date: 12/18/2006	Revision: *	
File: C:\Ben\40m\DC_PD\protel\DCPD_12_12_06\DCPD_12_12_06.SchDoc Time: 9:11:55 AM Sheet * of *			

