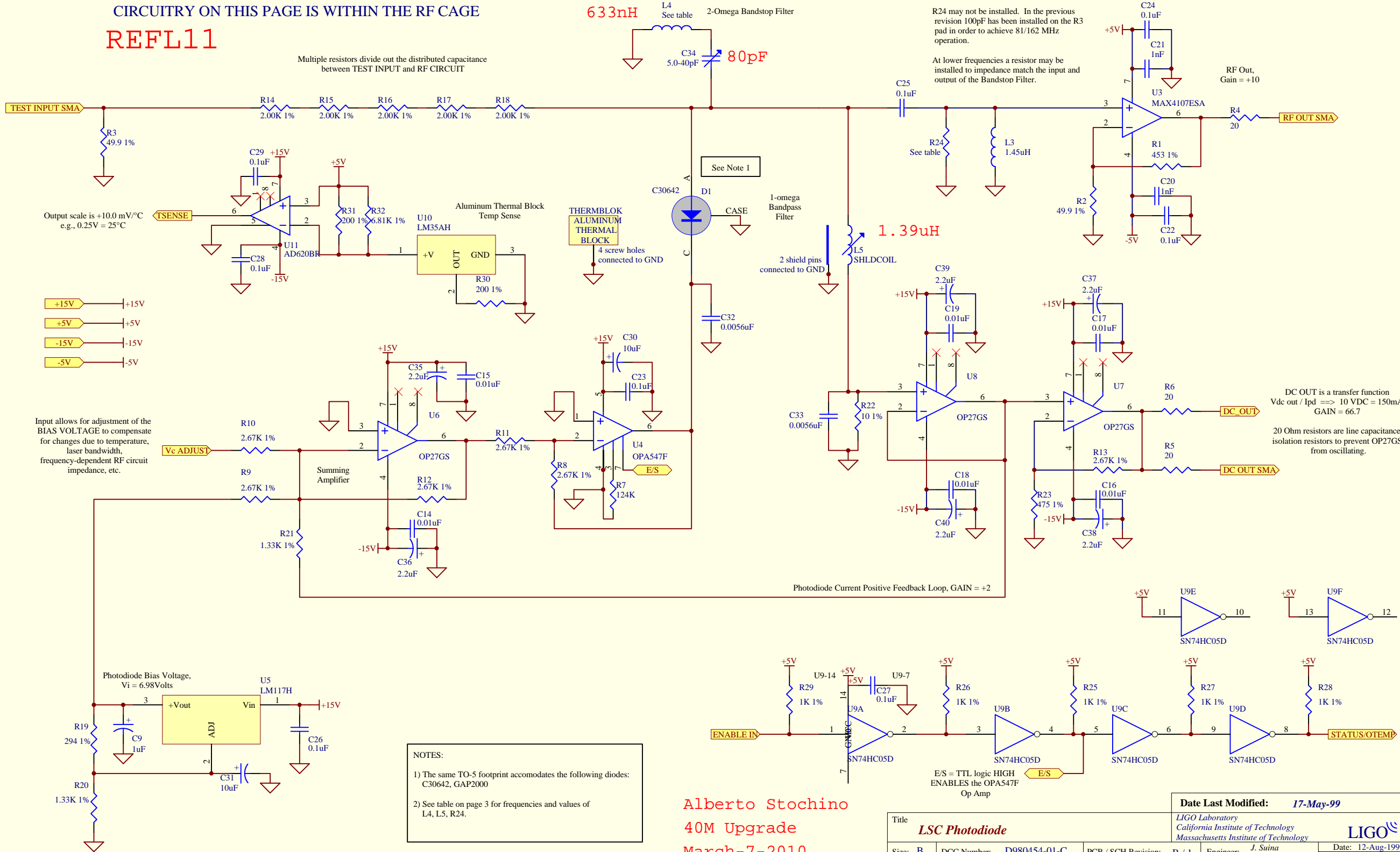


ENABLE IN must be HIGH (i.e. +5V) to enable the photodiode.

Title LSC Photodiode			Date Last Modified: 17-May-99	
LIGO Laboratory California Institute of Technology Massachusetts Institute of Technology			LIGO	
Size: B	DCC Number: D980454-01-C	PCB / SCH Revision: B / 1	Engineer: J. Suina D. Ouimette	Date: 12-Aug-1999
File: S:\SYSTEMS\LSC\PHOTOD-1\FINAL\SCHEMA-1\8045400A.PRJ			Time: 16:56:47 Sheet 1 of 2	

CIRCUITRY ON THIS PAGE IS WITHIN THE RF CAGE

REFL11



Output scale is +10.0 mV/°C
e.g., 0.25V = 25°C

+15V → +15V
+5V → +5V
-15V → -15V
-5V → -5V

Input allows for adjustment of the BIAS VOLTAGE to compensate for changes due to temperature, laser bandwidth, frequency-dependent RF circuit impedance, etc.

NOTES:
1) The same TO-5 footprint accommodates the following diodes: C30642, GAP2000
2) See table on page 3 for frequencies and values of L4, L5, R24.

Alberto Stochino
40M Upgrade
March-7-2010

Title LSC Photodiode		Date Last Modified: 17-May-99	
LIGO Laboratory California Institute of Technology Massachusetts Institute of Technology			
Size: B	DCC Number: D980454-01-C	PCB / SCH Revision: B / 1	Engineer: J. Suina D. Ouimette
File: S:\SYSTEMS\LSC\PHOTOD-1\FINAL\SCHEMA-1\8045401A.SCH		Date: 12-Aug-1999	Time: 16:56:25
		Sheet 2 of 2	