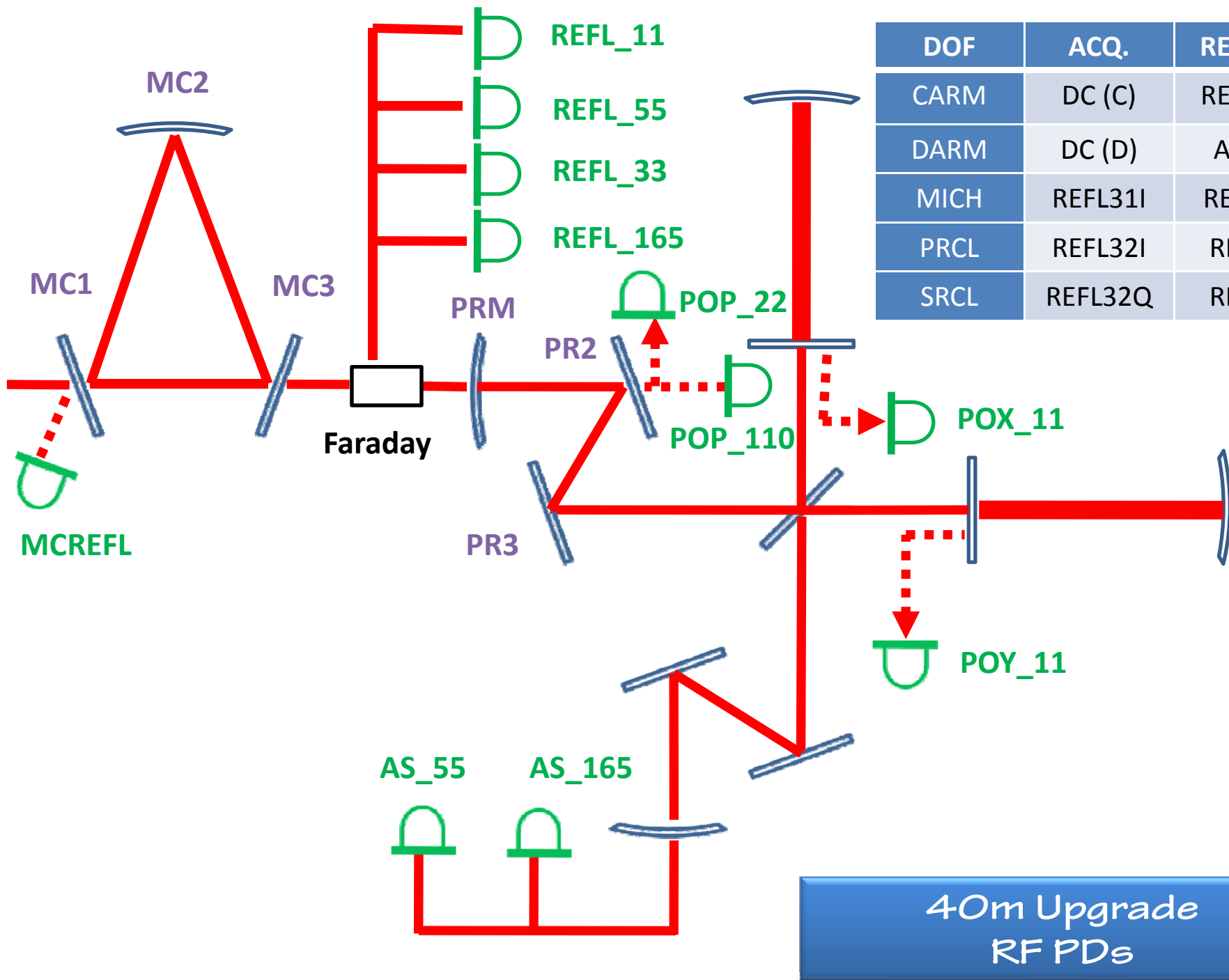


# List fo the needed PDs for the

RF PDs	QPDs
REFL_11	MCT_QPD1
REFL_33	MCT_QPD2
REFL_55	MC2T_QPD
REFL_165	IP_POS
MCREFL_29.5	IP_ANG
POP_22	OMC_QPD1
POP_110	OMC_QPD2
POX_11	TRX_QPD
POY_11	TRY_QPD
AS_55	
AS_165	



DOF	ACQ.	REGIME
CARM	DC (C)	REFL (2)
DARM	DC (D)	AS (2)
MICH	REFL31I	REFL1Q
PRCL	REFL32I	REFL1I
SRCL	REFL32Q	REFL2I

40m Upgrade  
RF PDs

