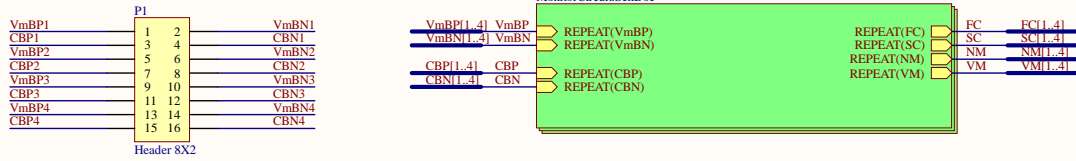
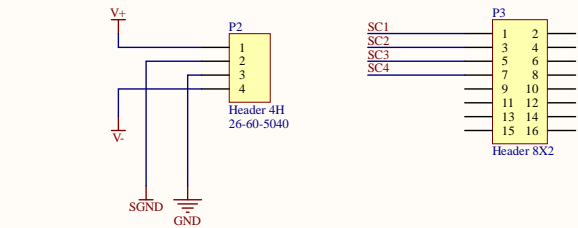


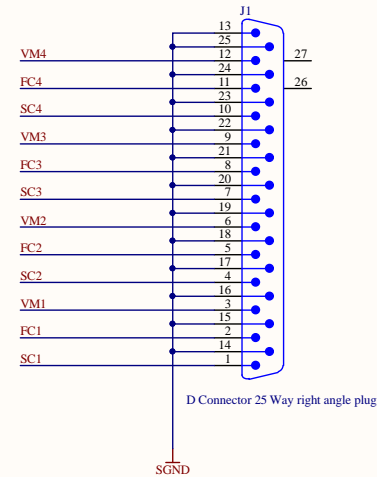
### Monitor Connections to Driver Board



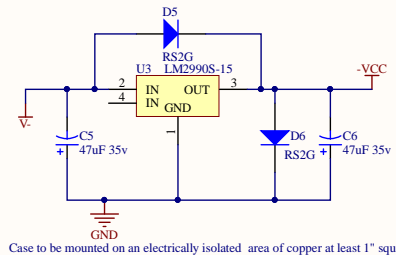
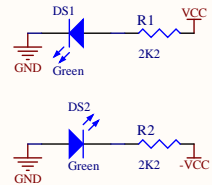
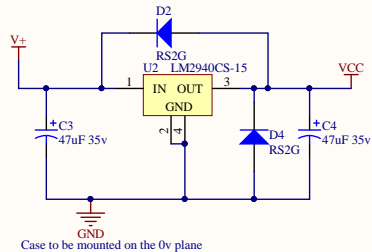
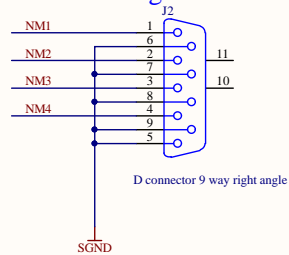
### Power connection to Driver board



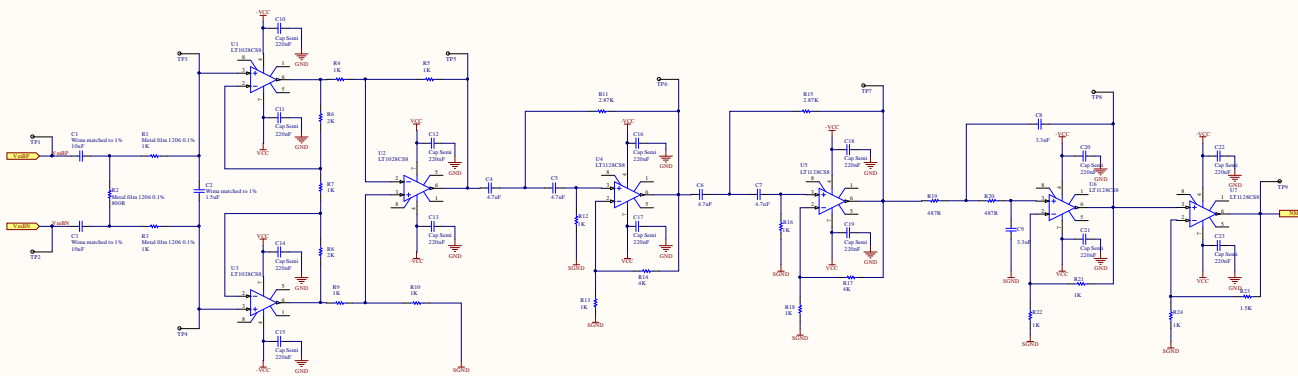
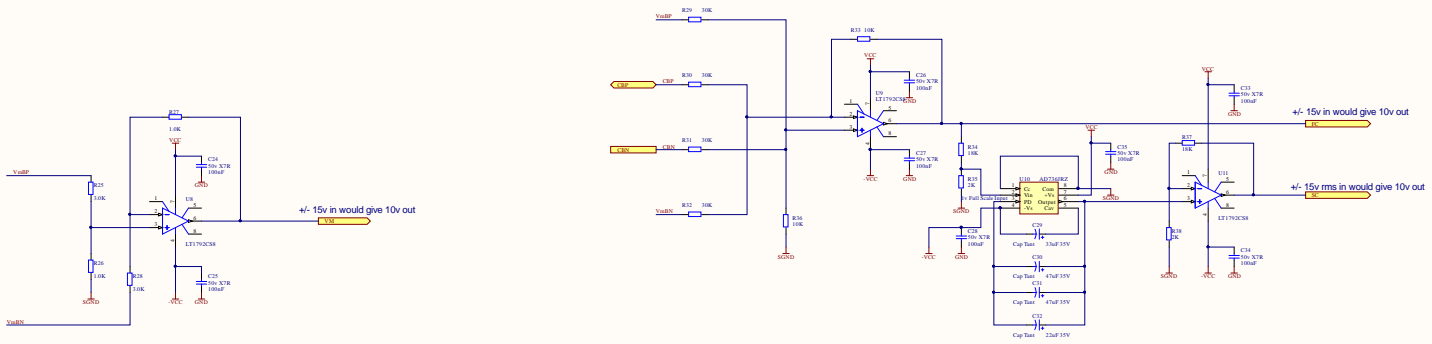
### V, I and rms monitor signals



### Noise Monitor Signals



|       |                                 |           |                                      |  |  |
|-------|---------------------------------|-----------|--------------------------------------|--|--|
| Title |                                 |           | <b>Production Quad Monitor Board</b> |  |  |
| Size  | Number                          | Revision  |                                      |  |  |
| B     | <b>D070480-04-K</b>             | <b>4</b>  |                                      |  |  |
| Date: | 1/4-2019                        | Sheet 1   | 2 of                                 |  |  |
| File: | C:\Users\...MonitorBoard.SchDoc | Drawn By: | <b>R.M.Cutler</b>                    |  |  |



| Rev | Number | Revision |
|-----|--------|----------|
| 1   | 1      |          |
| 2   | 2      |          |
| 3   | 3      |          |
| 4   | 4      |          |

