

ICS-110B

OPERATING MANUAL

Interactive Circuits And Systems Ltd.
November 2000

The information in this manual has been carefully checked and is believed to be reliable; however, no responsibility is assumed for possible inaccuracies or omissions. Interactive Circuits and Systems Ltd. reserves the right to make changes to products herein described to improve reliability, function, or design. No patent rights are granted to any of the circuits described herein.

Extra copies of this manual are available from the factory.

ICS Ltd
5430 Canotek Road
Gloucester, Ontario
K1J 9G2 Canada

www.ics-ltd.com
support@ics-ltd.com

Tel: (613) 749-9241
USA: (800) 267-9794
Fax: (613) 749-9461

TABLE OF CONTENTS

1. INTRODUCTION	1
1.1 References	1
2. GENERAL DESCRIPTION	2
2.1 Specifications	5
3. DETAILED DESCRIPTION	6
3.1 Sigma-Delta Analog Conversion	6
3.2 Anti-Alias Filtering	6
3.3 Input Section	7
3.4 Dynamic Range	7
3.5 Sampling Clock	8
3.6 Output Decimation	9
3.7 Clock vs Channel Output Rate Relationship	9
3.8 External Trigger	10
3.9 Front Panel Interface	10
3.10 FPDP Timing Limits	11
3.11 VMEbus Interface	11
3.12 VSB Interface	11
3.13 Interrupts	12
3.14 Block Transfers	12
3.15 Converter Programmable Features	12
3.15.1 Chip Calibration	12
3.15.2 Converter High Pass Filter	13
3.16 Signal Conditioning Daughter Card	13
4. HARDWARE PREPARATION	15
4.1 System Configuration	16
4.2 Functions Of Board Switches	17
4.3 Local Bus, FPDP and External Clock/Trigger Terminations	17
4.4 VMEbus Board Address	19
4.5 VMEbus Interrupt Level	21
4.6 Master/Slave Clock Selection	21
4.7 EXT_ACQ Input	22
4.8 Example Configurations	23
4.9 Front Panel Data Port (FPDP) Connections	28
5. PROGRAMMING MODEL	29

5.1	General Notes	29
5.2	ADC Data Area (VMEbus)	33
5.3	Status/Reset Register	33
5.3.1	SR<00> - FIFO Empty	33
5.3.2	SR<01> - FIFO Half Full	34
5.3.3	SR<02> - FIFO Full	34
5.3.4	SR<03> - Acquire Enabled	34
5.3.5	SR<07> - FIFO Reset	35
5.3.6	SR<08> - Board Reset	35
5.4	Control Register	36
5.4.1	CR<00> - Acquire	36
5.4.2	CR<01> - Master	36
5.4.3	CR<02> - Acquire Source	37
5.4.4	CR<05:03> - Output_Mode	37
5.4.5	CR<06> - Sync Enable	37
5.4.6	CR<07> - Clock Select	38
5.4.7	CR<08> - Oversampling Ratio	38
5.4.8	CR<14> - VSB Int Enable	38
5.4.9	CR<15> - VME Int Enable	38
5.5	Interrupt Vector Register	39
5.6	Num Channels Register	39
5.7	Decimation Register	39
5.8	ADC Configuration	40
5.9	ADC Calibration	41
5.9.1	ADC Calibration<02:00> - Cal/Test Waveform Select	41
5.9.2	ADC Calibration<06> - Cal/Test Enable	41
5.9.3	ADC Calibration<07> - Clock Sel	41
5.10	FPDP Address Register	42
5.11	Num Channels FPDP Register	42
5.12	FPDP Block Count Register	43
5.13	VSB Base Address Register	43
5.14	VSB Space Code Register	43
5.15	Sync Word Register	43
5.16	CLOCK Frequency/Gain Register	44
5.16.1	Clock Frequency	44
5.16.2	Gain Programming	45
5.17	ADC Data Area (VSB)	46
5.18	VSB Status Register	46
5.18.1	VSB Status<26:24> - Global Address	46
5.18.2	VSB Status<28> - FIFO Empty	47
5.18.3	VSB Status<29> - FIFO Half Full	47
5.18.4	VSB Status<30> - FIFO Full	47
5.18.5	VSB Status<31> - VSB Int	47
5.19	VSB Interrupt Enable Register	48

6.	USING THE ICS-110B	49
6.1	ADC Data FIFO Organization	49
6.1.1	VMEbus Data Organization	49
6.1.2	VSBbus Data Organization	49
6.1.3	FPDP Data Organization	49
6.2	Single-Board Real-Time VMEbus Operating Example	51
6.3	Three-Board Real-Time VSB Operating Example	52
6.4	Two-Board Real-Time FPDP Operating Example	54
7.	APPENDICES	57
7.1	Programming the Internal Clock Generator	57
7.1.1	Introduction	57
7.1.2	Programming Summary	57
7.1.3	Control Register	58
7.1.4	Programming Register	59
7.1.5	VCO Programming Constraints	60
7.1.6	Program Register Example	61
7.1.7	Oscillator Programming Example	62
7.2	Analog 1-16 Connector Details	64
7.3	Analog 17-32 Connector Details	64
7.4	P4 Local Bus Connector Details	66
7.5	P5 FPDP Details	67
7.5.1	FPDP Connector Pin Assignments	67
7.5.2	FPDP Signals	69

1. INTRODUCTION

The ICS-110B VMEbus analog input board is designed to simplify complex data acquisition requirements by offering:

- a large number of channels (4 to 32);
- Sigma-Delta ADCs which virtually eliminate complex and expensive anti-alias filtering;
- optional signal conditioning daughter card with programmable gain of up to 31.5dB, fixed frequency 2-pole anti-alias filters and calibration/test signal generation;
- simultaneous sampling at rates from 125 Hz/channel to 100 kHz/channel;
- 24-bit and 16-bit resolution output options;
- 110 dB dynamic range and -105 dB interchannel crosstalk;
- front panel signals for synchronizing up to 32 ICS-110B boards;
- external or programmable internal clock;
- 128 KByte on-board storage;
- 32-bit VMEbus and VSB interfaces which support block transfers;
- a 32-bit Front-Panel Data Port (ANSI/VITA 17 FPDP) for direct input to Mercury, SKY, Ixthos, Spectrum, Transtech DSP, and other array processors and DSP boards, as well as other ICS products;
- the facility to bus the FPDP outputs from multiple ICS-110B boards into one composite data stream.

1.1 References

1. VMEbus Specification, IEC821, ANSI/IEEE Std.
2. ICS-110B VxWorks Device Driver Manual, Document No. E10535, Interactive Circuits and Systems Ltd.
3. Crystal CS5396 CS5397 Product Information, DS229PP2, Crystal Semiconductor Products Division of Cirrus Logic, Inc., www.crystal.com.

2. GENERAL DESCRIPTION

Figure 1 shows a simplified block diagram of the ICS-110B mother board. The board includes up to 32 separate 24-bit Sigma-Delta ADCs to simultaneously digitize all channels at rates up to 100 kHz per channel. All inputs are differential in order to suppress common-mode noise. Full scale input voltage is $\pm 1.0V$ on each wire of the differential pair for the standard product, and $\pm 5.0V$ on each wire for the ICS-110B-32B version. The latter version is not available with the optional signal conditioning daughter card. The serial output from each ADC is converted to a 24-bit parallel word before being stored in a FIFO for subsequent read-out. A separate FIFO is included for odd and even channels. Data is acquired in frames, where a frame contains one sample from each selected channel at a single sampling instant. Any number of channels (multiples of 2 only) up to the maximum for the board may be selected for operation, but the channels are always allocated in ascending order starting at channel one.

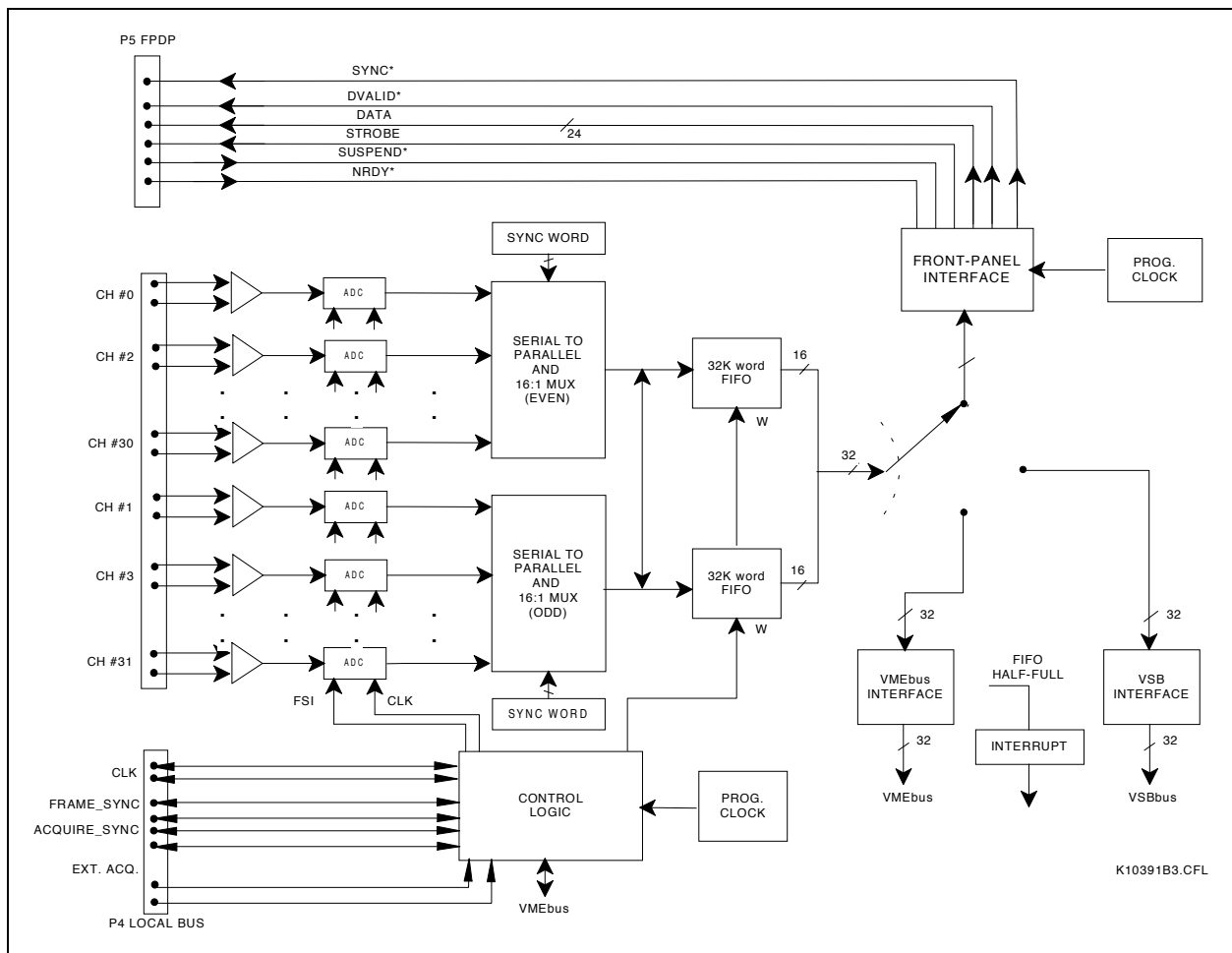


Figure 1 - ICS-110B Mother Board Block Diagram

At the output, 24-bit samples are presented in the most significant 24 bits of each 32-bit data word. If preferred, the 24-bit data may be truncated to 16-bits for output over the VMEbus or VSB (not FPDP). In this case, data from consecutive odd and even channels is combined to form a 32-bit word in order to make the most efficient use of bus bandwidth. Both the VMEbus and VSB interfaces support block transfers. A VMEbus or VSB interrupt at FIFO Half-Full can be generated to facilitate real-time operation.

The sampling clock for the ICS-110B board can be either an external clock or the board's programmable frequency internal clock. The clock frequency must be 256 times the output data rate for each channel when using 64x oversampling, and 512 times the output data rate when using 128x oversampling. The output data rate is equivalent to the sampling rate in conventional ADCs. The input signal is sampled at one quarter the clock rate, which is typically more than 128 times the input signal bandwidth. This high sampling rate virtually eliminates the need for anti-aliasing. Each Sigma-Delta ADC uses internal digital filtering and decimation to produce an output at the desired sampling rate. The output data rate can be further reduced using a programmable on-board decimation register. However, care must be taken to ensure that the input signal is properly anti-aliased before decimating the ADC output.

The internal sampling clock of the ICS-110B can produce a user-specified sampling rate to within 20Hz at the output rate. The clock is programmed by writing the appropriate clock frequency program word to the board's PROGRAM_CLOCK register. Software is included with the software device driver for the board to simplify computation of this programming word.

Data acquisition can be triggered using either an external signal or by software control. The trigger functions as a gate, allowing acquisition to be repetitively enabled and disabled using the selected trigger source. When using the external trigger, the signal is applied to the differential EXT_ACQ input and must conform to differential TTL signal levels. Acquisition starts when the signal changes from the low state to the high state, and stops when it returns to the low state. Acquisition is automatically synchronized so that a full frame of data is always written to the FIFO memory at the beginning and end of an acquisition cycle.

Up to 32 ICS-110B boards may be configured as a cluster to provide simultaneous sampling with excellent synchronization. When operating in this configuration, one board must be configured as Sampling Master, while the remainder are configured as Slaves. This board generates the sampling clock and trigger (external or internal) and feeds them to all other boards in the cluster. The signals required to provide this functionality are routed on the front panel P4 Local Bus connector. When using multiple board configurations, the P5 Front Panel Data Port (FPDP) can operate in a multiplexed fashion so that a composite data frame is generated on FPDP containing data from all channels in the cluster. The control signals required to generate composite FPDP frames with the correct timing are also included on the front panel P4 Local Bus interface.

The optional daughter card included with the ICS-110B1 product provides up to 32 channels of signal conditioning with test and calibration capability. Figure 2 gives a block diagram showing a single channel of the daughter card. When the daughter card is installed, the differential signals at the front panel analog input connectors are routed to the daughter card; the mother board must be modified to allow this. Here they are buffered and converted to single ended signals. After passing through a relay which selects either analog input or the test/calibration signal, the signals pass through a two-pole anti-alias filter with a Butterworth characteristic. The cut-off frequency of this filter is fixed and must be specified at time of ordering. The filter outputs are applied to a programmable gain stage which provides between -95.0dB to +31.5dB of gain; separate values may be programmed to each channel. After the gain stage, the signals connect to the mother board, where they are applied to the input buffers as when no daughter board is present.

The test/calibration relays allow one of two signal sources to be applied to all input channels. The first is an external calibration signal taken from one of the front panel analog input connectors; the second is a single waveform from one of eight which may be stored in a one-time programmable Programmable Read-Only Memory (PROM) which is located on the daughter card. The selection of which stored waveform is to be used is programmable.

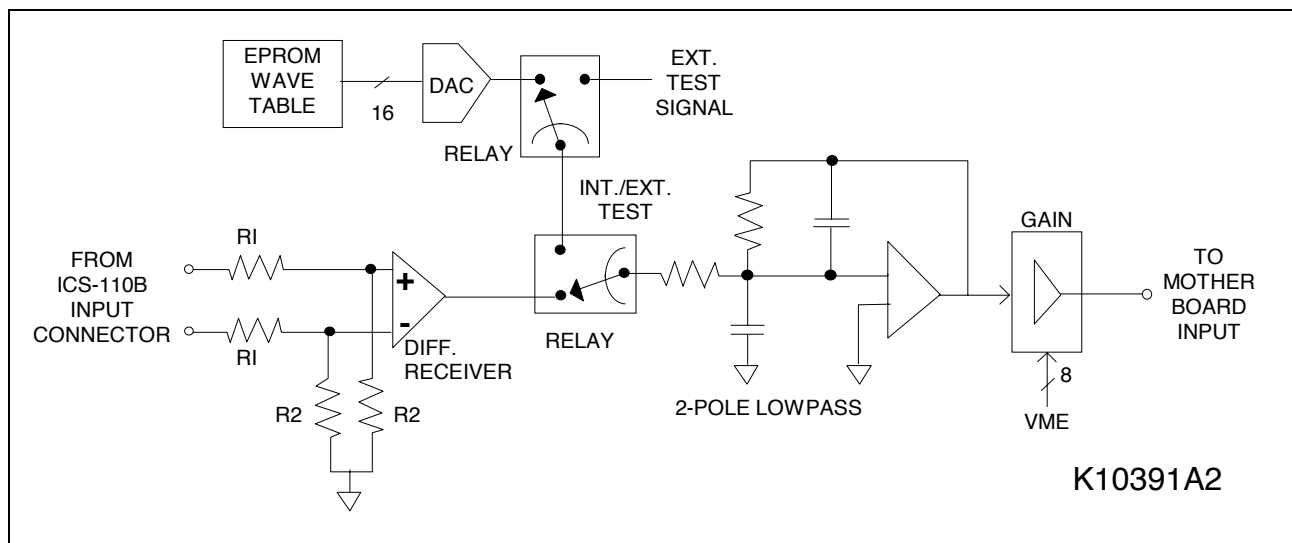


Figure 2 - ICS-110B Daughter Board Block Diagram (One Channel)

2.1 Specifications

ICS-110B Mother Board

Number Of Differential Analog Inputs :	4, 8, 16 or 32
Input Impedance :	10 kOhm
Full Scale Input :	±1.0 V differential* (standard product) ±5.0 V differential* (ICS-110B-32B product)
Maximum Input Signal Bandwidth (-0.01dB) :	39.58 kHz
Input Sampling Rate:	128 x Output rate for BW < 22kHz 64 x Output rate for BW > 22kHz
Output Rate (effective sampling rate) :	Max. 100 kHz/ch. Min. 2 kHz/ch.
Programmable Decimation Factor :	1 to 16
Internal Sample Clock :	Programmable in steps of 20Hz (at output freq.)
Dynamic Range:	> 110dB in 128x sampling mode > 105dB in 64x sampling mode
Total Harmonic Distortion:	< -105dB
Crosstalk:	< -105dB
On-board Storage:	64 Kwords
Output Word Length:	32 bits packed (2 samples per word) (VME and VSB only) 24 bits (1 sample per word) (VME, VSB and FPDP)
VMEbus Interface:	A32/24/16 D32 BLT Slave Vectored Interrupts 32 MBytes/sec
VSBbus Interface :	A32 D32 BLT Slave Polled Interrupts 40 MBytes/sec
FPDP Support :	Refer to ICS Technical Note No.15 Up to 20 MWords/sec burst
Power :	+5 volts 7.0 Amps maximum +12 volts 0.5 Amps maximum -12 volts 0.24 Amps maximum
Operating Temperature :	0 to +50 Deg. C
Storage Temperature :	-40 to +85 Deg. C
Humidity :	95% RH, non-condensing
Board Size :	233 x 160 mm VMEbus 6U standard

ICS-110B Daughter Board (Optional)

Number Of Differential Analog Inputs :	4, 8, 16 or 32
Input Impedance :	>1 Mohm (±5V max. input) >100 kohm (±25V max. input)
Maximum Input Level :	±1.87 V differential* standard Contact factory for other options
Lowpass filter :	2-pole Butterworth, Fc=75kHz, giving a flat response up to 40kHz
Gain :	-95.0 dB to +31.5 dB in steps of 0.5 dB
Internal Test Signal :	Eight 16-bit preprogrammed waveforms in a 256K x 16-bit PROM
Dynamic Range :	> 85 dB @ 0 dB gain and ±1.0 V diff. input
Power :	+5 volts 0.5 Amps maximum +12 volts 0.26 Amps maximum -12 volts 0.17 Amps maximum

* i.e. voltage in each differential input leg.
Specifications subject to change without notice

3. DETAILED DESCRIPTION

3.1 Sigma-Delta Analog Conversion

The operation of a Sigma-Delta ADC differs significantly from traditional ADCs. A 1-bit analog-to-digital conversion is performed at a very high rate. The total quantization noise energy remains constant, but by spreading it over a wider spectrum, the amount in the frequency band of interest is reduced. The noise in the passband is further reduced by filtering (noise shaping). The oversampled signal is then lowpass filtered to remove the out-of-band quantization noise. This is achieved using a decimation comb filter and an FIR low-pass filter/decimator. The resultant output spectrum is equivalent to a traditional ADC.

For more information on Sigma-Delta analog-to-digital conversion techniques, refer to IEEE press publication "Oversampling Sigma-Delta Data Converters" edited by James C. Candy and Gabor C. Temes.

3.2 Anti-Alias Filtering

The ICS-110B board uses the Crystal Semiconductor CS5397 Sigma-Delta converter. This device is designed to sample the input signal at a rate which is greater than 128 times the signal bandwidth, when an output rate of up to 50kHz is required. A 64x oversampling mode is also provided for output rates up to 100kHz. For 24-bit conversion accuracy, the anti-alias prefilter must provide 110 dB attenuation at the Nyquist frequency.

Since the Nyquist frequency is at least six (6) octaves away from the highest signal frequency, no more than a 3-pole filter is required for anti-aliasing. The input differential amplifiers buffering the analog inputs on the ICS-110B board, however, have a finite bandwidth. Further, in many applications, the input signal strength reduces naturally beyond the passband of interest. A simple single or double pole filter, therefore, may be sufficient for anti-aliasing. Note that no anti-aliasing is provided on the ICS-110B mother board, but a two pole Butterworth filter is provided on the optional signal conditioning daughter card (see section 3.15).

The Sigma-Delta ADC limits the signal bandwidth to approximately 40% of the output data rate by digital filtering. The minimum output rate is 2 kHz. However, lower output rates can be achieved by using the on-board decimation feature. In this case, care must be taken to ensure that the input signal is bandlimited to less than half the final output rate in order to avoid aliasing.

3.3 Input Section

The ICS-110B board accepts true differential input signals with peak amplitudes of $\pm 1.0V$ differential, as shown in Figure 3. The input impedance is 10 kOhm. The maximum input signal bandwidth is approximately 40 kHz.

For best performance, differential input signals are recommended. If, however, a single-ended input must be used, the -ve input terminals can be tied together to a common analog ground, preferably the ground of the source. The input signal is applied to the +ve terminal. The full-scale swing of the input signal is not exceed $\pm 1.0V$. Thus, for single-ended inputs, there is a 6dB loss in dynamic range.

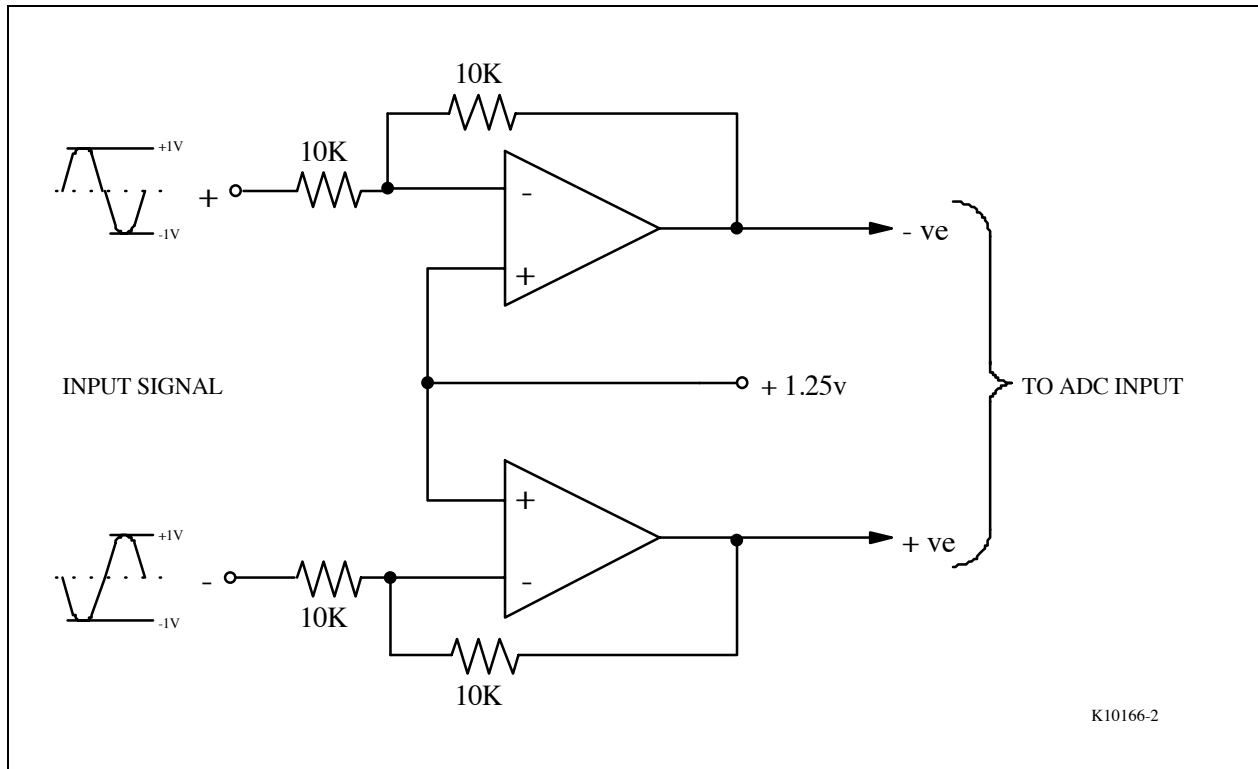


Figure 3 - ICS-110B Analog Input Configuration (Not ICS-110B-32B Version)

3.4 Dynamic Range

The ICS-110B offers over 110 dB dynamic range in the 128x oversampling mode of operation (i.e. maximum input signal bandwidth of 22kHz), and over 105 dB dynamic range in the 64x oversampling mode of operation (i.e. maximum input signal bandwidth of 40kHz).

The ICS-110B offers excellent gain and phase matching across channels. Since the Sigma-Delta converters employ minimal analog technologies, such performance is expected. In the design of the ICS-110B board, extreme care has been taken in the generation of sampling clocks in order to assure precise simultaneous sampling on every card, and across cards in a multiple board system.

The frequency response is flat over the entire signal bandwidth (approximately 40% of the output rate) to within ± 0.004 dB.

3.5 Sampling Clock

The ICS-110B board can be configured (by programming the control register) to use either the internal programmable-frequency sampling clock or an external clock. If used, the external sampling clock signal should conform to differential TTL signal levels and applied to the EXT_CLK pins on the front panel P4 connector. A single-ended TTL clock signal can also be applied provided that the high level of the signal is above 3.5 volts. The frequency of the external clock signal must be 256 times the desired output rate when operating in 64x oversampling mode, or 512 times the desired output rate when operating in 128x oversampling mode.

The internal clock (after conversion to differential TTL signals) is available at the P4 Local Bus connector pins in order to supply clock signals to other ICS-110B boards for synchronous operation. The board generating the clock signal (the Sampling Master) requires appropriate jumper settings in order to route the clock signals back from the P4 connector pins. All Sampling Slave ICS-110B boards must be configured for external clock. Thus all boards including the master see identical propagation delays for the clock signal, regardless of whether it is generated by a ICS-110B board or applied from an external source.

The maximum clock frequency is 25.6 MHz and the minimum clock frequency is 512 kHz.

3.6 Output Decimation

The output rate can be reduced using the on-board decimation feature. At the output, samples are automatically discarded, which has the effect of lowering the effective sampling rate. The maximum decimation factor which may be programmed is 16.

The user is cautioned that decimating the output requires anti-aliasing (similar to using a conventional ADC) in order to bandlimit the input signal to Nyquist frequency which is equal to half the final output rate. Thus, output decimation is only recommended for reducing the output rate below 2 kHz.

3.7 Clock vs Channel Output Rate Relationship

The channel output rate is directly related to the frequency of the internal programmable or external clock signal frequency as follows:

$$\text{Channel Output Rate} = F_s / (R \times DF)$$

where F_s is the clock frequency and DF is the decimation factor (see section 3.6). R is a ratio equal to 512 when the oversampling ratio is 128, and equal to 256 when the oversampling ratio is 64.

Thus, for a maximum 25.6 MHz clock, using 64x oversampling and assuming no output decimation, the channel output rate is:

$$\begin{aligned} \text{Channel Output Rate} &= 25,600,000 / (256 \times 1) \\ &= 100 \text{ kHz.} \end{aligned}$$

For a maximum 25.6 MHz clock, using 128x oversampling and assuming no output decimation, the channel output rate is:

$$\begin{aligned} \text{Channel Output Rate} &= 25,600,000 / (512 \times 1) \\ &= 50 \text{ kHz.} \end{aligned}$$

For a minimum 512 kHz CLOCK, using 64x oversampling and assuming no output decimation, the channel output rate is:

$$\begin{aligned} \text{Channel Output rate} &= 512,000 / (256 \times 1) \\ &= 2.0 \text{ kHz.} \end{aligned}$$

3.8 External Trigger

Triggering of acquisition can be either internally controlled from the VMEbus by writing to the Control register, or externally controlled via the P4 EXT_ACQ input. In either case, the effect is to start and stop acquisition by enabling and inhibiting writes to the board's FIFO memory. The trigger acts as a gate - acquisition occurs only when the signal or enable bit is high, and it may be repetitively started and stopped using this mechanism. The operation is data frame-oriented; acquisition can only be started at the beginning of a frame or stopped at the end of a frame. A frame includes all channel data corresponding to a given sample period. Note that the ADCs are never stopped - they are always operating.

The differential P4 EXT_ACQ input is used to start and stop acquisition externally. A TTL high level enables acquisition. A single-ended TTL signal can be used provided the high level is not less than 3.5 volts.

3.9 Front Panel Interface

The ANSI/VITA 17 Front Panel Data Port (FPDP) is a synchronous parallel data transfer bus which uses ribbon cable. It is ideally suited to the requirements of high speed real-time data transfer. Since only one bus master is allowed and there is no addressing on the bus, the maximum possible bandwidth is available for data transfer. FPDP provides a simple and inexpensive mechanism for off-loading data from VMEbus.

The FPDP protocol for data transfer is supported by all ICS current products. An 80-pin ribbon cable connector is provided for the FPDP (see Appendix section 7.6).

The ICS-110B, since it provides 24-bit resolution, drives data only on data lines D31 (Most Significant bit) through D08 (Least Significant bit), inclusive. The undriven least significant 8 bits of the 32-bit bus are tied to ground.

The FPDP burst rate (Data Strobe frequency) is software programmable to up to 20 MHz. In addition to the Data Strobe signal, positive-logic ECL differential clocks (+PECL Strobe & -PECL Strobe) are also supplied in order to support longer cable lengths, high speed operation, and greater immunity from clock-related problems.

The Front Panel Data Port interface operates using two FIFO memories in a swing buffer configuration, as shown in Figure 1. During one frame, data is converted and written to one FIFO memory, while the FPDP interface reads data from the other and transmits it over the FPDP cable. At the end of the frame, the two banks switch. Before any new ADC data is written to the swapped FIFO memory, it is automatically reset to ensure channel synchronization. If the synchronization is somehow lost, this scheme ensures that the synchronization is recovered in the next frame.

By programming the FPDP_BLOCK_COUNT register, the user can set the bank switch to occur after storing a specified number of frames.

3.10 FPDP Timing Limits

When using the FPDP in a multiple board configuration, it must be noted that the maximum FPDP data rate is 20 MHz. The value programmed for the FPDP Data Strobe frequency using the PROGRAM_CLOCK register should not exceed this value (see sections 5.16 and 7.1). The user must ensure that whatever FPDP Data Strobe frequency is programmed is sufficient to provide the data throughput required by the selected sampling frequency. The minimum required data strobe rate is simply the sample output frequency multiplied by the number of channels programmed for the system (i.e. for all ICS-110B boards connected on the same FPDP). This channel count is programmed in the NUM_CHANNELS_FPDP register.

At the 100 kHz maximum channel output rate, approximately 200 channels can be used ($100 \text{ kHz} \times 200 = 20 \text{ MHz}$). Note that the decimation factor must be taken into account, if decimation is used. Approximately 800 channels can be used when the channel output rate is 25 kHz or less ($25 \text{ kHz} \times 800 = 20 \text{ MHz}$).

Where the user's requirement would exceed the maximum transfer rate of FPDP, it is possible to set up multiple board configurations with multiple FPDP outputs. This is possible because the Sampling Master and FPDP Master functions of the ICS-110B are separate. By configuring a system with a single Sampling Master and multiple FPDP masters, the cluster of ICS-110B boards will all sample synchronously, but will output data on two or more FPDP cables. Details of board configuration are given in section 4.

3.11 VMEbus Interface

The ICS-110B contains a Slave A32/D32 VMEbus interface. The VMEbus interface supports block transfers and vectored interrupts. Data transfer rates in excess of 32 MBytes/sec can be achieved. D16 path width must be used for access to most control registers, while D32 path width must be used for access to the ADC data and to some control registers.

Although data is always accessed using 32-bit data transfers, channel data can be organized as one channel per transfer (unpacked mode) or two channels per transfer (packed mode). In unpacked mode, the channel data is located in the upper 24 bits of the 32-bit data word (the lower 8 bits are forced to zero). In packed mode, the 24-bit samples are truncated to 16 bits and packed into 32-bits such that channel N is in the upper 16 bits, and channel N+1 is in the lower 16 bits of the 32-bit data word.

3.12 VSB Interface

The ICS-110B also contains a Slave A32/D32 VSB interface. The VSB interface supports block transfers and polled interrupts. Data rates up to 40 MBytes/sec can be achieved. Data organization is as discussed in the VMEbus Interface section above.

At power up, the VSB interface is disabled and cannot be used until the VSB base address is programmed to the VSB Base Address register (see section 5.13).

3.13 Interrupts

When enabled, the ICS-110B will generate interrupts when the data FIFO reaches the half-full state, thus relieving the user of the need to poll the status bit for this condition. The interrupt may be generated on VMEbus or VSB. Prior to using the interrupt mechanism on VMEbus, the interrupt vector must be loaded to the board's INTERRUPT_VECTOR register. To enable the interrupt, the appropriate enable bit in the VMEbus CONTROL register (CR:15 or CR:14) must be set. In the case of VSB interrupts, the VSB INTERRUPT_ENABLE location must be read, in addition to setting the enable bit in the Control register.

When an interrupt occurs, the user may transfer data using either conventional or block transfer cycles. To avoid the possibility of the data FIFO ever reaching the full state, the user should read as much data as possible when the interrupt occurs, but should be careful not to cause a FIFO empty state. If using conventional cycles, the FIFO_EMPTY bit of the STATUS register (SR:00) should be polled before each read to ensure that FIFO underflow does not occur.

If either the FIFO empty or FIFO full states occur, data has been lost and the board should be stopped, reset by writing to the BOARD_RESET register, and reconfigured before continuing.

3.14 Block Transfers

The ICS-110B can act as a slave device for block transfers (D32 BLT cycles) on either VMEbus or VSB. If using block transfer cycles, the user should program the master device with a block size not exceeding half the FIFO length to ensure that FIFO underflow does not occur. The FIFO length is 64 KSamples. Because of the limit imposed by address map size, the maximum block size allowed for VMEbus transfers is 16,256 long words (0xFE00 = approx. 63KBytes). The maximum VSB block size is 8,192 long words (0x8000 = 32KBytes).

When addressing the ADC_DATA areas on either VMEbus or VSB memory maps, successive reads need not be to sequential addresses. Any access within the valid address range from the base address (see above) will read the next data value from the FIFO. It is valid to use the same address on every access, if desired.

3.15 Converter Programmable Features

The Crystal CS5397 converters used on the ICS-110B provide several features which may be programmed by the user. Programming is done using the ADC Configuration register (see section 5.8). The most important of these are chip calibration and selection of the on-chip high pass filter.

3.15.1 Chip Calibration

Calibration of the converters should be done following power-up, and may be done at other times when it is acceptable to interrupt normal converter operation. It should not be done until thermal equilibrium of the converter chips has occurred, at least 10

seconds after application of power. The procedure for converter calibration is as follows:

1. Set sample output frequency to 10kHz in either 64x or 128x oversampling mode (whichever is to be used for normal operation).
2. Write 0xC0 to converter register 1.
3. For 64x oversampling operation, write 0x44 to converter register 2.
4. For 128x oversampling operation, write 0xC4 to converter register 2.
5. Delay for at least 2050 periods of the sample output rate (128x mode), or 4100 periods (64x mode).
6. Write 0x00 to register 1.
7. Reprogram sampling clock to the required frequency.

Follow the procedure given in section 5.8 for writing data to the converter registers. Following calibration, the on-chip high pass filters are enabled. The user may wish to disable these by using the procedure given in the next section.

3.15.2 Converter High Pass Filter

The Crystal CS5397 converter includes a first order high pass digital filter at the output, which may be used to remove DC offset. The filter is enabled following application of power, and following converter calibration (see section 3.15.1), but it may be disabled by the user by programming the ADC Configuration register. The filter 3dB cut-off frequency is 1.8Hz when the output rate is 48kHz. The filter characteristics scale linearly with frequency.

The procedure for disabling the on-chip high pass filters is as follows:

1. For 64x oversampling operation, write 0x0C to converter register 2
2. For 128x oversampling operation, write 0x8C to converter register 2

The procedure for enabling the on-chip high pass filters is as follows:

1. For 64x oversampling operation, write 0x04 to converter register 2
2. For 128x oversampling operation, write 0x84 to converter register 2

Follow the procedure given in section 5.8 for writing data to the converter registers.

3.16 Signal Conditioning Daughter Card

The optional signal conditioning daughter board provides up to 32 channels of programmable gain, anti-alias filtering and test/calibration signal injection. Gain is individually programmable for each channel in the range -95.0 to +31.5 dB in steps of 0.5 dB. Gain changes may take up to 18 ms to be effected. The anti-alias filters are 2-pole filters with a Butterworth characteristic. The cut-off frequency of these filters is fixed, and must be specified at time of ordering. The standard frequency is 75kHz. Cut-off frequencies of 3.5kHz and 35kHz are also available on request at time of ordering.

When the daughter board is installed, signals connect to it from the front panel Analog Input connectors. Surface mount shorting links must be removed from or installed on

the mother board to allow use of the daughter card. The ICS-110B must therefore be returned to the factory if subsequent installation of the daughter card is required.

Test/calibration signal injection is available from a single external signal or from a digital generator on the daughter board. In either case, the same calibration signal is applied to all channels. The calibration function is enabled and the signal source selected by means of relays under program control. The external signal is a single-ended signal which must be connected to pin 16 or the Analog 1-16 connector. The full scale signal level is $\pm 1V$ when the gain is set to be 0dB; however, since the daughter board drives the mother board with a single-ended signal, this will achieve an output which is -6dB compared to full scale. This is the maximum signal level which may be applied to the converter.

The on-board signal generator consists of a one-time-programmable PROM memory located in a socket on the daughter card. The memory is divided into eight waveforms of 32K samples each; the waveform to be used can be selected under program control. When enabled, the samples of the selected waveform are repetitively output to a 16-bit Digital-to-Analog converter on the daughter card, providing a continuous periodic waveform. As shipped, the PROM contains 4 pre-stored waveforms; the user may remove the PROM from the board and program the remaining positions, if suitable tools and equipment are available. The PROM part number is HN27C4096CC-10 in a 44-pin PLCC package, available from Hitachi, Mitsubishi, AMD and others. Each waveform contains 32,768 16-bit samples. The waveform details are as follows; waveforms are numbered such that waveform 1 occupies the lowest address range:

Waveform No.	Description	No. of Cycles	Amplitude (peak)
1	Sine	544	$\pm 0x4026$
2	Negative DC level	-	0xFBF4
3	Positive DC level	-	0x040C
4	Ramp (sawtooth)	50	$\pm 0x7FFF$
5-8	Unused		

When using a 10kHz output rate in 64x oversampling mode, the measured output frequency of waveform 1 is approximately 166 Hz. When used in 128x oversampling mode, the output frequency will be twice this figure.

A full scale 16-bit digital input to the DAC corresponds to a full scale 24-bit digital output from the ADCs. Since the signal generator produces 16-bit samples, the dynamic range of the ICS-110B output when using the signal generator will correspond to 16-bit performance, about 87 dB.

4.1 System Configuration

The ICS-110B is designed to allow simultaneous sampling across all channels on a board, and also across all channels on multiple boards. To facilitate multiple board clusters, timing and external clock/trigger signals are bussed on the front panel P4 Local Bus cable. In addition, if the Front Panel Data Port (FPDP) is used for data output, multiple ICS-110B boards may be bussed on the same FPDP cable.

Two multiple board cluster configurations are possible:

- All ICS-110B boards on one Local Bus cable and on one FPDP cable
- All ICS-110B boards on one Local Bus cable, but on two or more FPDP cables

The latter case addresses the situation where a single FPDP cable would not have sufficient throughput, or where the FPDP/R- (receiver) board has insufficient throughput and multiple receiving boards must be used.

For the purposes of correctly driving and terminating bussed front panel signals, there are four possible hardware switch configurations for an ICS-110B board. These are:

- Master - the board drives timing signals and terminates received signals
- Mid-Slave - the board does not terminate or drive signals except data lines
- End-Slave - the board terminates timing signals and drives data lines
- Stand-alone Master - the board drives and terminates all signals

These classifications are applicable to both Local Bus and FPDP operation. It is possible therefore, for a board to be a Local Bus Mid-Slave but an FPDP Master, FPDP End-Slave or FPDP Stand-alone Master. The Master board must be located at one end of the cable. The End-Slave is located at the opposite end of the cable to the Master. The Mid-Slaves are located in between the Master and End-Slave boards. In a two board system, only Master and End-Slave configurations apply. Finally, the Stand-Alone Master refers to a one board system. The required switch settings are determined by which of these four cases applies to the board in question. Also, switch settings are affected by whether a configuration uses internal or external clock (EXT_CLK+/-) and trigger (EXT_ACQ+/-) signals.

If the ICS-110B board/s is/are connected to one or more Digital Signal Processor (DSP) or Array Processor boards using the FPDP, the DSP board/s should be installed in the chassis at the End-Slave end of the FPDP cable (i.e. the ordering should be Master, Mid-slaves, End-Slave, DSP). If FPDP is not being used, the position of the DSP board/s in the chassis with respect to the ICS-110B boards is not important, however it is recommended that the ICS-110B boards are installed in adjacent slots.

4.2 Functions Of Board Switches

The ICS-110B has eleven switch blocks which must be configured by the user according to the required operating configuration. Figure 4 shows the location of these switch blocks on the ICS-110B mother board. A summary of the functions of the switches is given in the following table.

SWITCH	FUNCTION	NOTES
SW1		Factory Use Only
SW2	VMEbus Address Mode	See Section 4.4
SW3	VMEbus Interrupt Level	See Section 4.5
SW4	VMEbus Address	See Section 4.4
SW5	VMEbus Address	See Section 4.4
SW6	VMEbus Address	See Section 4.4
SW7	VMEbus Interrupt Level	See Section 4.5
SW8	Local Bus (P4) Terminations	See Section 4.3/4.7
SW9	Local Bus (P4) Terminations and Internal sample clock enable	See Section 4.3/4.6
SW10	Local Bus (P4) PECL Strobe Enable & Terminations	See Section 4.3
SW11	FPDP (P5) Terminations	See Section 4.3

4.3 Local Bus, FPDP and External Clock/Trigger Terminations

Switch blocks SW8, SW9 and SW10 allow resistive terminations to be connected to the Local Bus and External Clock and Trigger signals which appear on the front panel P4 connector. The purpose of two SW9 switch positions (SW9-7 and SW9-8) is to allow the internal clock of the Master board to drive the Master and Slave boards (if any). Details of the Local Bus P4 connector are given in Appendix B. The resistive terminations are 220 Ohm pull-up to +5VDC and 330 Ohm pull-down to ground on each signal.

SW10 connects terminations to the Local Bus PECL strobe signals. The terminations are 390 Ohm to ground on each wire at the transmitter, and 100 Ohm connected between the two differential strobe signals at the receiver.

The drivers for the Local Bus clock and strobe signals must be enabled on Stand-Alone Master boards and on the Master board of a multi-board configuration. The terminations must be enabled on Stand-Alone Master boards and on End-Slave boards of multi-board configurations. On Mid-Slave boards of multi-board configurations, neither drivers nor terminations are enabled.

For the EXT_ACQ± signals, the terminations must be enabled on Stand-Alone Master and End-Slave boards only.

SW11 connects the FPDP PECL Strobe and terminates some FPDP signals which are sourced by the receiving DSP board rather than the ICS-110B. These switches should be closed if the FPDP is being used, only on Master and Stand-Alone Master boards. The resistive terminations are 220 Ohm pull-up to +5VDC and 220 Ohm pull-down to ground on each signal.

The following table shows the correspondence between signals on the Local Bus connector, P4, and switch positions in SW8, SW9 and SW10. In all cases, the closed position of the switch (see Fig. 4) connects the termination or enables the specified function.

P4 Pin	Switch	Signal	Function
1	SW9-7	CLOCK+	Connect Sample Clock to Master and Slave Boards
2	SW9-8	CLOCK-	Connect Sample Clock to Master and Slave Boards
1	SW8-1	CLOCK+	Terminate
2	SW8-2	CLOCK-	Terminate
3		Ground	
4		FRAME_TC	
5	SW8-3	ACQUIRE_SYNC	Terminate
6	SW8-4	BLOCK_SYNC	Terminate
7	SW10-4	EXT_CLOCK+	Terminate
8	SW10-5	EXT_CLOCK-	Terminate
9	SW8-5	EXT_ACQ+	Terminate
10	SW8-6	EXT_ACQ-	Terminate
11		Ground	
12	SW10-1	DATA_CLOCK+	Connect Driver
13	SW10-2	DATA_CLOCK-	Connect Driver
12,13	SW10-3	DATA_CLOCK+/-	Terminate
14	SW9-1	BOARD_ADDR0	Terminate
15	SW9-2	BOARD_ADDR1	Terminate
16	SW9-3	BOARD_ADDR2	Terminate
17	SW9-4	BOARD_ADDR3	Terminate
18	SW9-5	BOARD_ADDR4	Terminate
19	SW9-6	DATA_CLOCK_EN	Terminate
20		NC	

The following table shows the correspondence between signals on the FPDP connector, P5, and SW11 switch positions. In all cases, the closed position of the switch (see Fig. 4) connects the termination or enables the specified function.

P5 Pin (Cable wire)	Switch	Signal	Function
13	SW11-1	SUSPEND*	220 Ohm Pull-Up
13	SW11-2	SUSPEND*	220 Ohm Pull-Down
7	SW11-3	NRDY*	220 Ohm Pull-Up
7	SW11-4	NRDY*	220 Ohm Pull-Down
25	SW11-5	PSTROBE	Connect Driver to FPDP
27	SW11-6	PSTROBE*	Connect Driver to FPDP

The following table lists the normal switch positions for most of the Local Bus and FPDP switches depending on the board function. Other switch positions are discussed in the following sections.

Board Configuration	SW8-1,2,3,4,5,6, SW9-1,2,3,4,5,6, SW10-3,4,5	SW9-7,8 SW10-1,2, SW11-1,2,3,4,5,6
Master	Open	Closed
Middle-Slave	Open	Open
End-Slave	Closed	Open
Stand-Alone Master	Closed	Closed

Examples of switch settings for various board configurations are given in section 4.8.

4.4 VMEbus Board Address

The ICS-110B VMEbus base address can be set at any 0x10000 (64 KByte) address interval in A24 or A32 address space using switches SW4, SW5 and SW6, as given in the following table. A closed switch selects a zero for that address bit, while an open switch selects a one. Consult Fig. 4 for switch polarities. Examples are discussed in section 4.8.

Switch	VME Address Bit	Switch	VME Address Bit	Switch	VME Address Bit
SW6-7	A31	SW5-7	A23		
SW6-6	A30	SW5-6	A22	SW4-7	NC
SW6-5	A29	SW5-5	A21	SW4-6	NC
SW6-4	A28	SW5-4	A20	SW4-5	NC
SW6-3	A27	SW5-3	A19	SW4-4	NC
SW6-2	A26	SW5-2	A18	SW4-3	NC
SW6-1	A25	SW5-1	A17	SW4-2	NC
SW5-8	A24	SW4-8	A16	SW4-1	NC

The ICS-110B can be configured, by means of switch block SW2, to reply only to certain AM codes, or to ignore AM codes when decoding short, standard, or extended addresses during VMEbus accesses. The configurable addressing modes of the ICS-110B are:

Switch	Address Decoding Scheme
SW2-1: C	A32 Addressing, AM Codes 09, 0B, 0D, 0F
SW2-2: C	A24 Addressing, AM codes 39, 3B, 3D, 3F
SW2-3: C	A32 Addressing, Ignore AM Codes
SW2-4	Unused

Under the Switch column, SW2-X: C implies that SW2 bit X is set closed, and all switches other than bit "X" of SW2 are open. The above AM codes refer to the following address decoding schemes:

AM Code	Function
39	Standard Non-Privileged Data Access
3B	Standard Non-Privileged Block Transfer
3D	Standard Supervisory Data Access
3F	Standard Supervisory Block Transfer
09	Extended Non-Privileged Data Access
0B	Extended Non-Privileged Block Transfer
0D	Extended Supervisory Data Access
0F	Extended Supervisory Block Transfer

The default factory settings are as follows:

VMEbus Base Address = 0xD00000
A24 Addressing, AM codes 39, 3B, 3D, 3F

4.5 VMEbus Interrupt Level

The VMEbus interrupt level is set using SW7 and SW3 as shown in the following table:

Switch	SW3-1	SW3-2	SW3-3	IRQ Level
SW7-1: C	O	C	C	1
SW7-2: C	C	O	C	2
SW7-3: C	O	O	C	3
SW7-4: C	C	C	O	4
SW7-5: C	O	C	O	5
SW7-6: C	C	O	O	6
SW7-7: C	O	O	O	7

Under the Switch column, SW7-X: C implies that all switches other than bit "X" of SW7 are set open. Switch SW3 position 4 is unused.

The default factory setting is:

VMEbus IRQ Level = 3.

4.6 Master/Slave Clock Selection

Switches SW9-7 and SW9-8 are used to connect the clock signal regenerated by the Sampling Master ICS-110B to the slave boards, in multiple board configurations:

Master/Slave Clock Selection	SW9-7	SW9-8
Sampling Master board	Closed	Closed
Sampling mid-slave, end-slave boards	Open	Open

The default factory setting is:

Sampling Master

The clock termination resistors must also be correctly configured, regardless of whether the clock source is internal or external. The correct settings are shown in the following table. The definition of terms in the table is given in section 4.1.

Board Configuration	SW8-1	SW8-2
Master	Open	Open
Mid-Slave	Open	Open
End-Slave	Closed	Closed
Stand-Alone Master	Closed	Closed

4.7 EXT_ACQ Input

The EXT_ACQ input, P4 pins 9 and 10, is the external trigger signal used to start and stop ICS-110B sampling when the Control Register bit CR<02> (ACQUIRE SOURCE) is set for external acquisition control. The board responds to the level of the signal. Acquisition will occur while the signal is at a high logic level, and will stop while the signal level is low. In multiple board configurations, the EXT_ACQ signal is used by the Master ICS-110B only.

The board is designed to accept a signal which conforms to differential TTL levels. As with the External Clock, a single-ended TTL compatible level may be used instead of a differential signal. In this case, the signal should be connected to P4 pin 9. P4 pin 10 should be left unconnected. The high logic level on the signal must be at least 3.5 volts.

In a multiple board configuration, the EXT_ACQ signal is connected to the Master board, which synchronizes the signal to the sampling clock, and then transmits the reclocked signal as the ACQUIRE_SYNC signal on P4 pin 5. Termination of EXT_ACQ is achieved by setting switches SW8-5 & SW8-6 to the closed position as shown in the following table.

Board Configuration	SW8-5	SW8-6
Master	Open	Open
Middle-Slave	Open	Open
End-Slave	Closed	Closed
Stand-Alone Master	Closed	Closed

4.8 Example Configurations

Figures 5 to 8 are provided as an aid to the installation procedure. They show switch settings for all the common ICS-110B configurations.

Figure 5 specifies the settings for a Master ICS-110B in a multi-board system. This figure also reflects the following settings:

VMEbus base address = 0xD00000
A24 addressing, AM codes 39, 3B, 3D, 3F
VMEbus IRQ level = 3

Figure 6 specifies the settings for a Mid-Slave ICS-110B in a multi-board system. This figure also reflects the following settings:

VMEbus base address = 0xD10000
A24 addressing, AM codes 39, 3B, 3D, 3F

Figure 7 specifies the settings for an End-Slave ICS-110B in a multi-board system. This figure also reflects the following settings:

VMEbus base address = 0xD20000
A24 addressing, AM codes 39, 3B, 3D, 3F

Figure 8 specifies the settings for a Stand-Alone Master ICS-110B in a single-board system. This figure also reflects the following settings:

VMEbus base address = 0xD00000
A24 addressing, AM codes 39, 3B, 3D, 3F
VMEbus IRQ level = 3

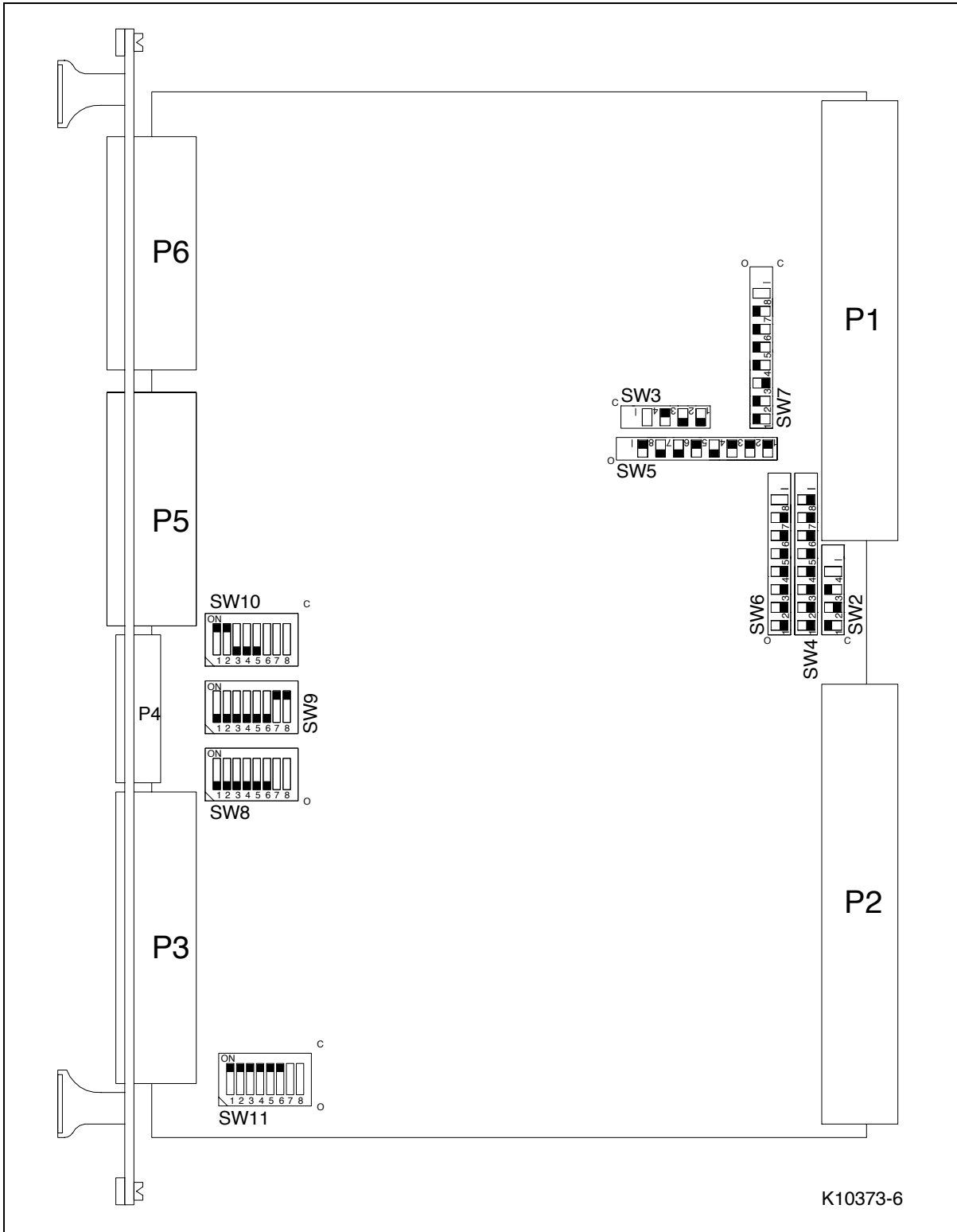


Figure 5 - ICS-110B Master Configuration

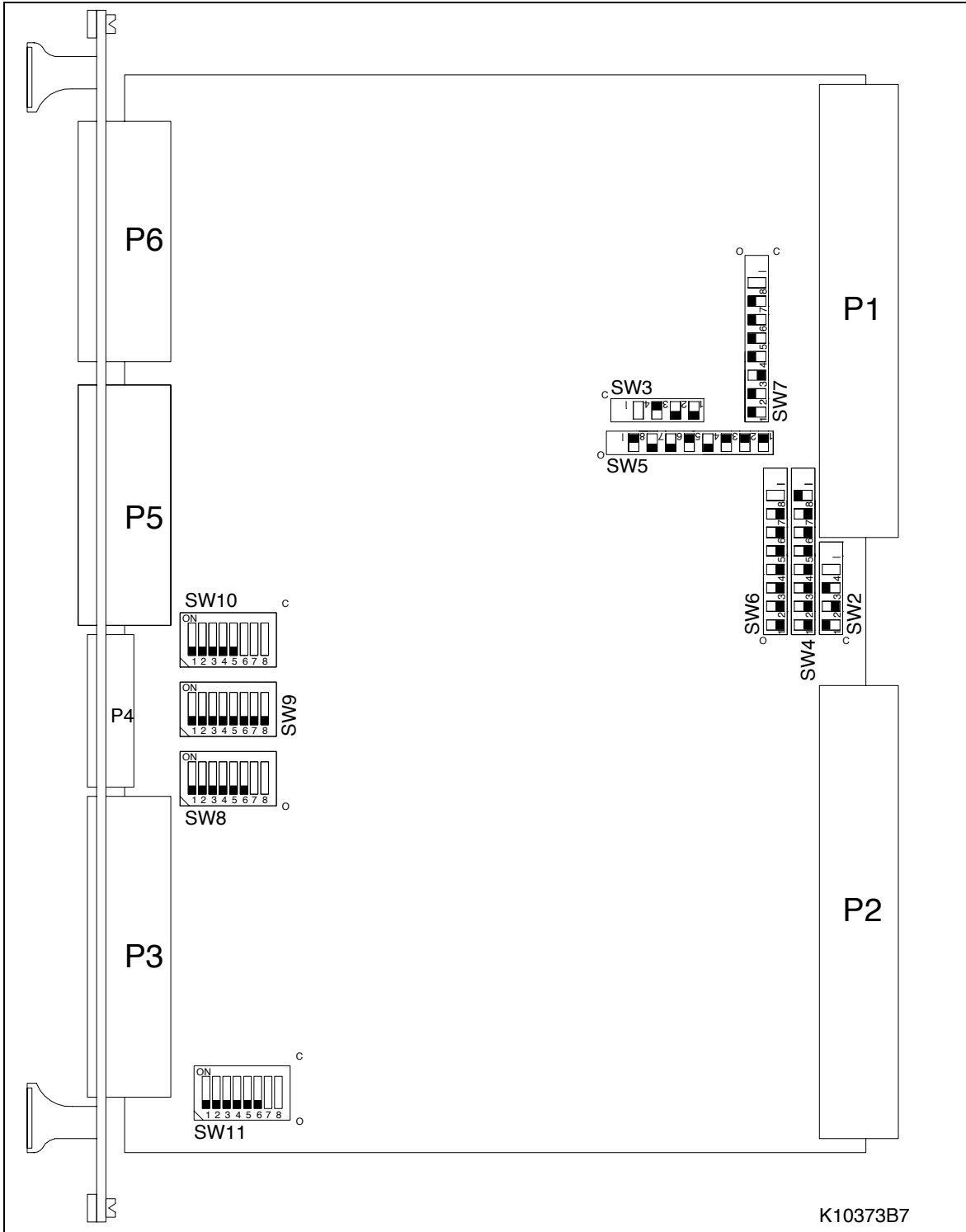


Figure 6 - ICS-110B Mid-Slave Configuration

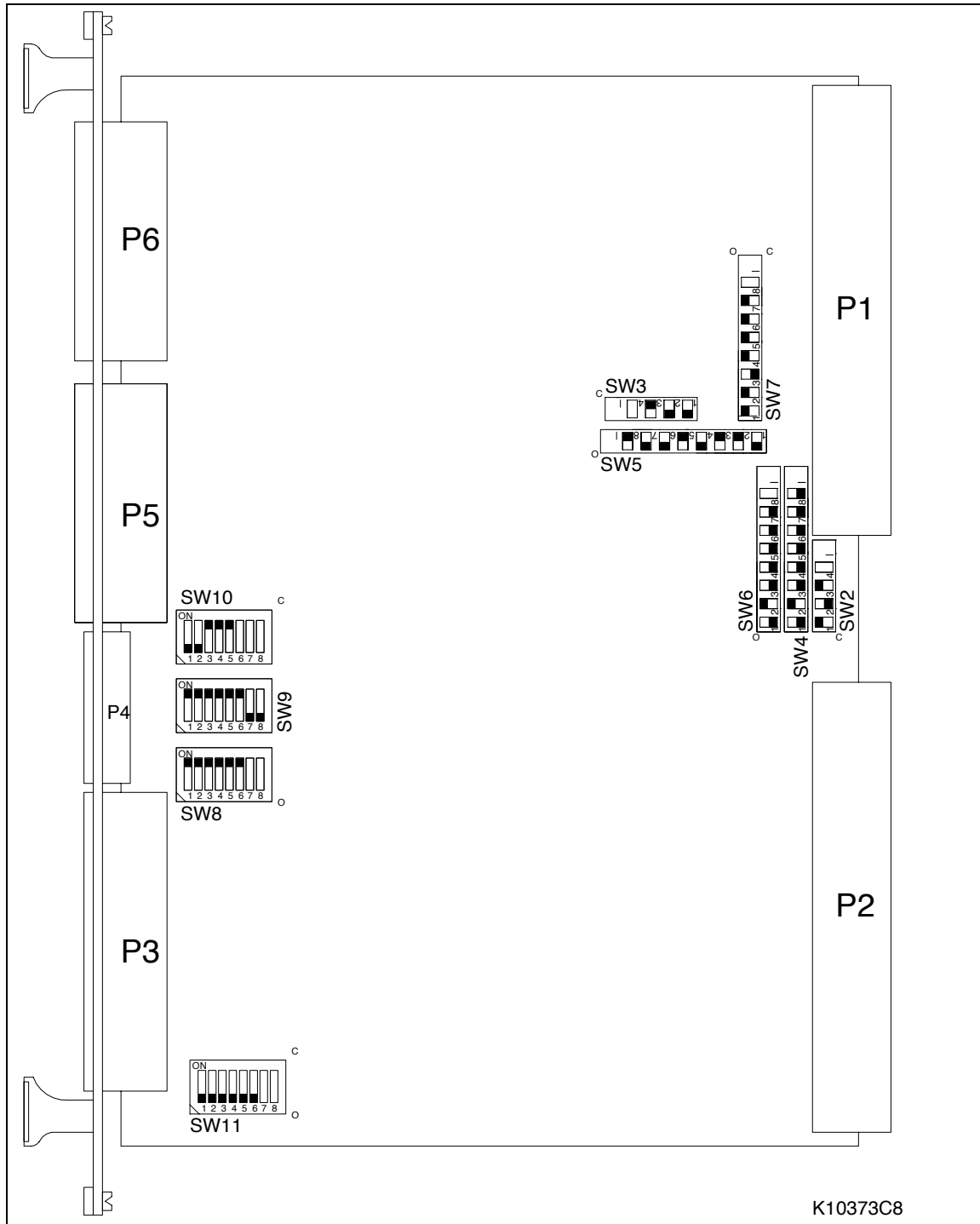


Figure 7 - ICS-110B End-Slave Configuration

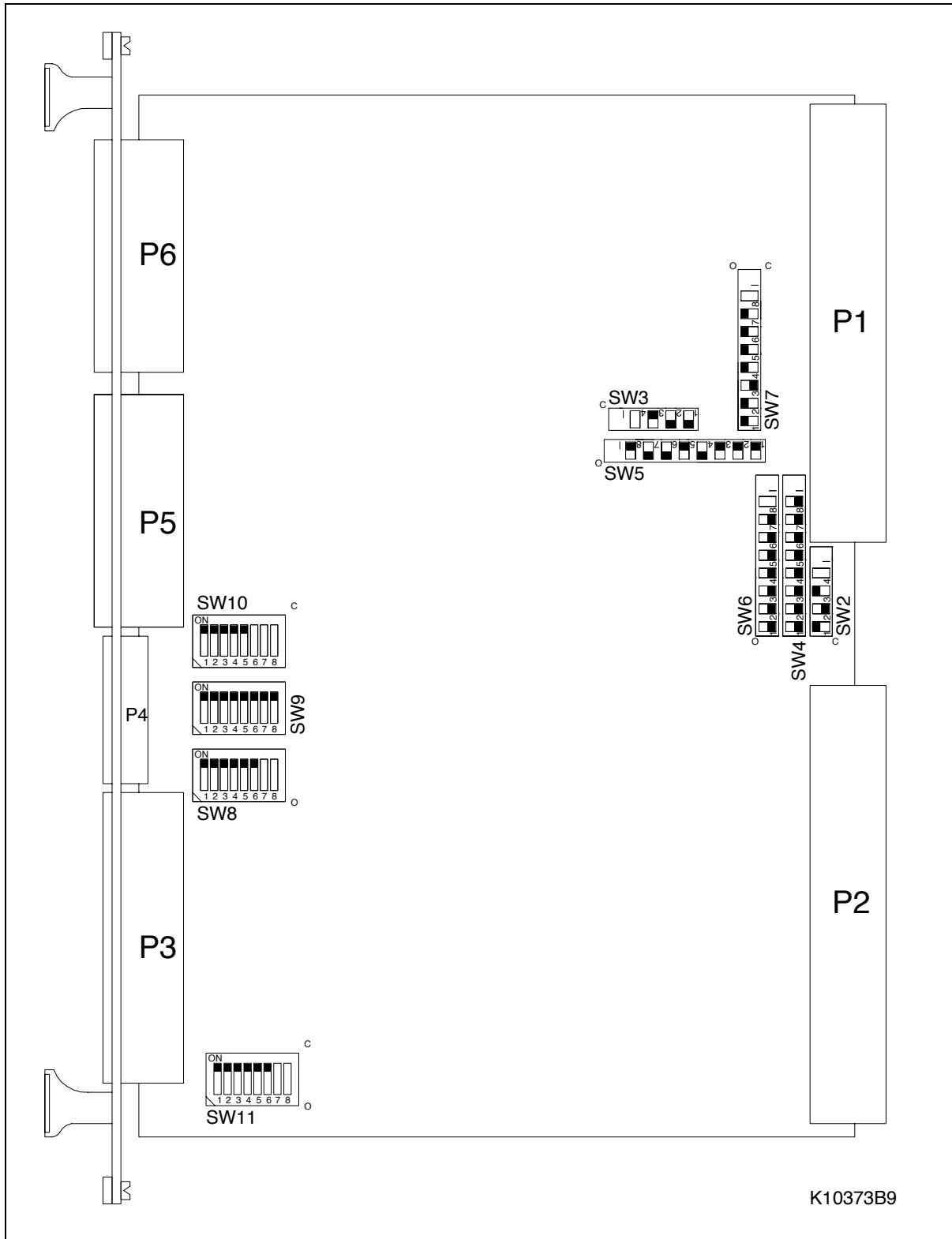


Figure 8 - ICS-110B Stand-Alone Master Configuration

4.9 Front Panel Data Port (FPDP) Connections

The FPDP provides a bus style interface between multiple ICS-110B boards and one or more Digital Signal Processor (Array Processor) boards. Up to 32 ICS-110B boards may be linked on a single FPDP connection. Figure 9 shows, as an example, how four ICS-110B boards can be bussed together. The 80-pin ribbon cable busses the four FPDP outputs, while the 20-pin Local Bus ribbon cable busses EXT_CLK+/-, EXT_ACQ+/-, and synchronization signals.

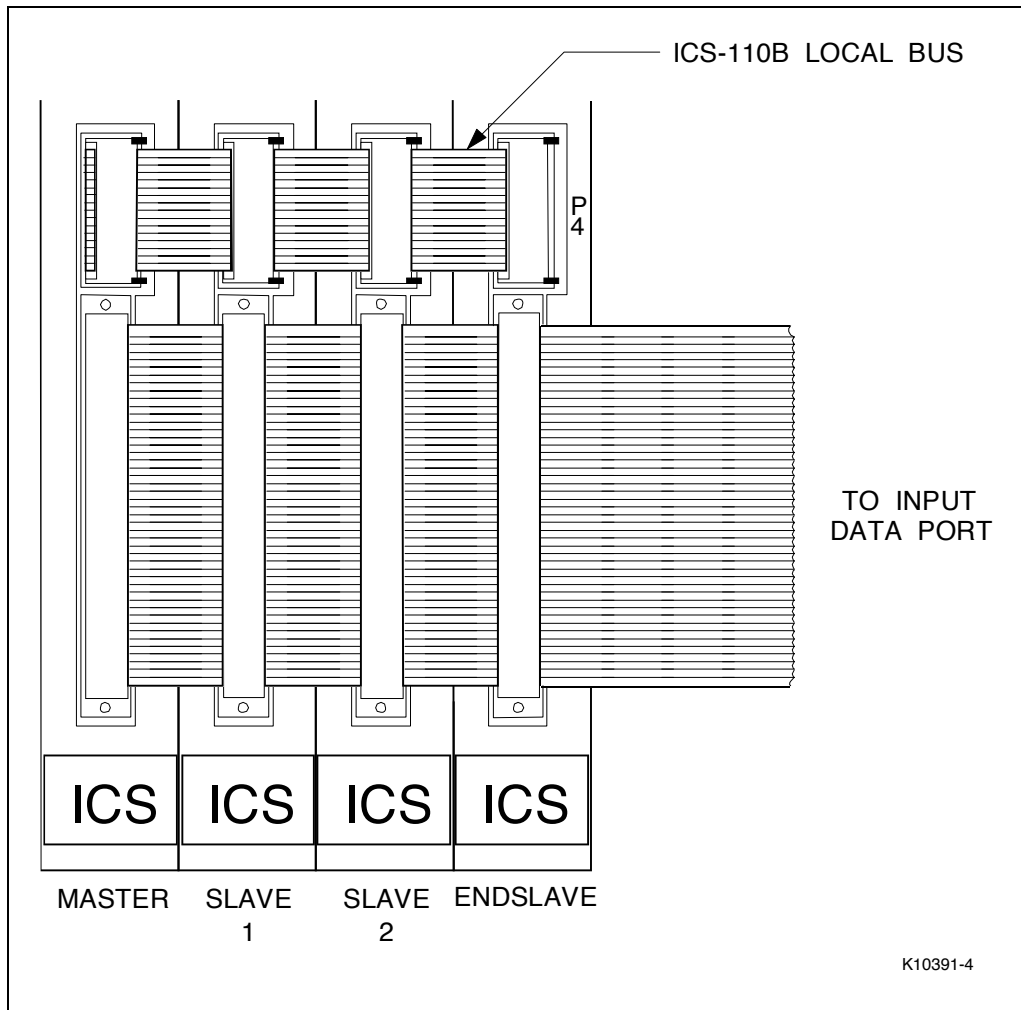


Figure 9 - ICS-110B FPDP Connections

5. PROGRAMMING MODEL

The ICS-110B memory map is shown in Fig. 10. The individual bit fields of the registers are given in Fig. 11 and Fig. 12. Detailed register descriptions are given in the following sections. All programming and control of the ICS-110B is done through the VMEbus interface. All undefined control register bits may be written as 0 or 1 without affecting board operation; when read, they may also be in either state.

There are two 32-bit wide ADC Data areas, one in the VMEbus map and one in the VSB map. The VMEbus ADC Data area is 16,256 32-bit words (0xFE00 bytes) in length, while the VSB ADC_DATA area is 8,192 32-bit words (0x8000 bytes) in length.

5.1 General Notes

All transfers to and from ICS-110B 32-bit registers should be done using D32 VMEbus cycles. In the case of 16-bit registers, D16 VMEbus cycles must be used. The A24 or A32 VMEbus base address is configured using switches on the board as described in section 4 above.

In the following register descriptions, register bits are referred to in the following way:

CR<0>	Bit 0 (least significant bit) of Control register.
VSBS<26:24>	Bits 24 to 26 inclusive of VSB Status register.

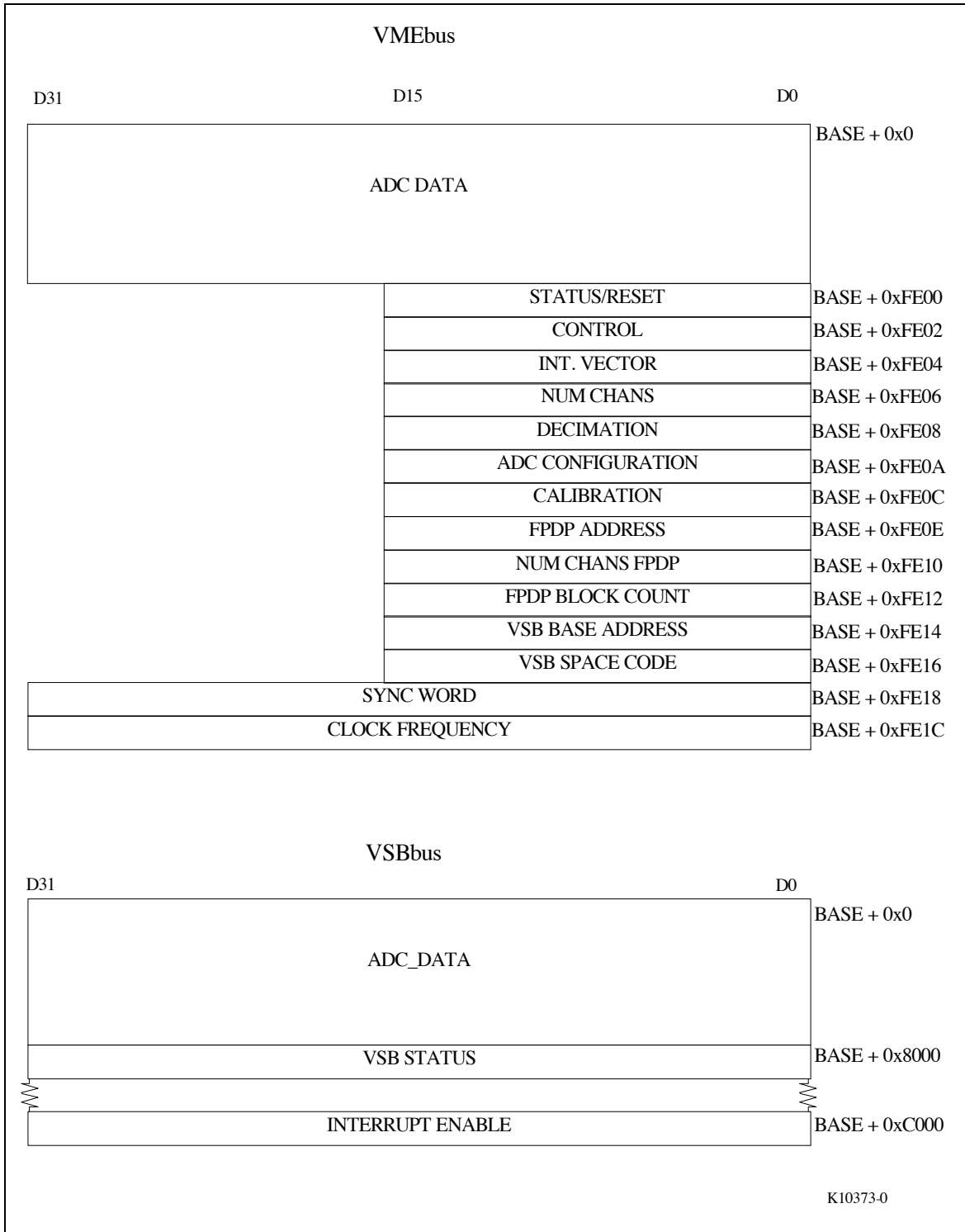


Figure 10 - ICS110B VMEbus/VSB Address Map

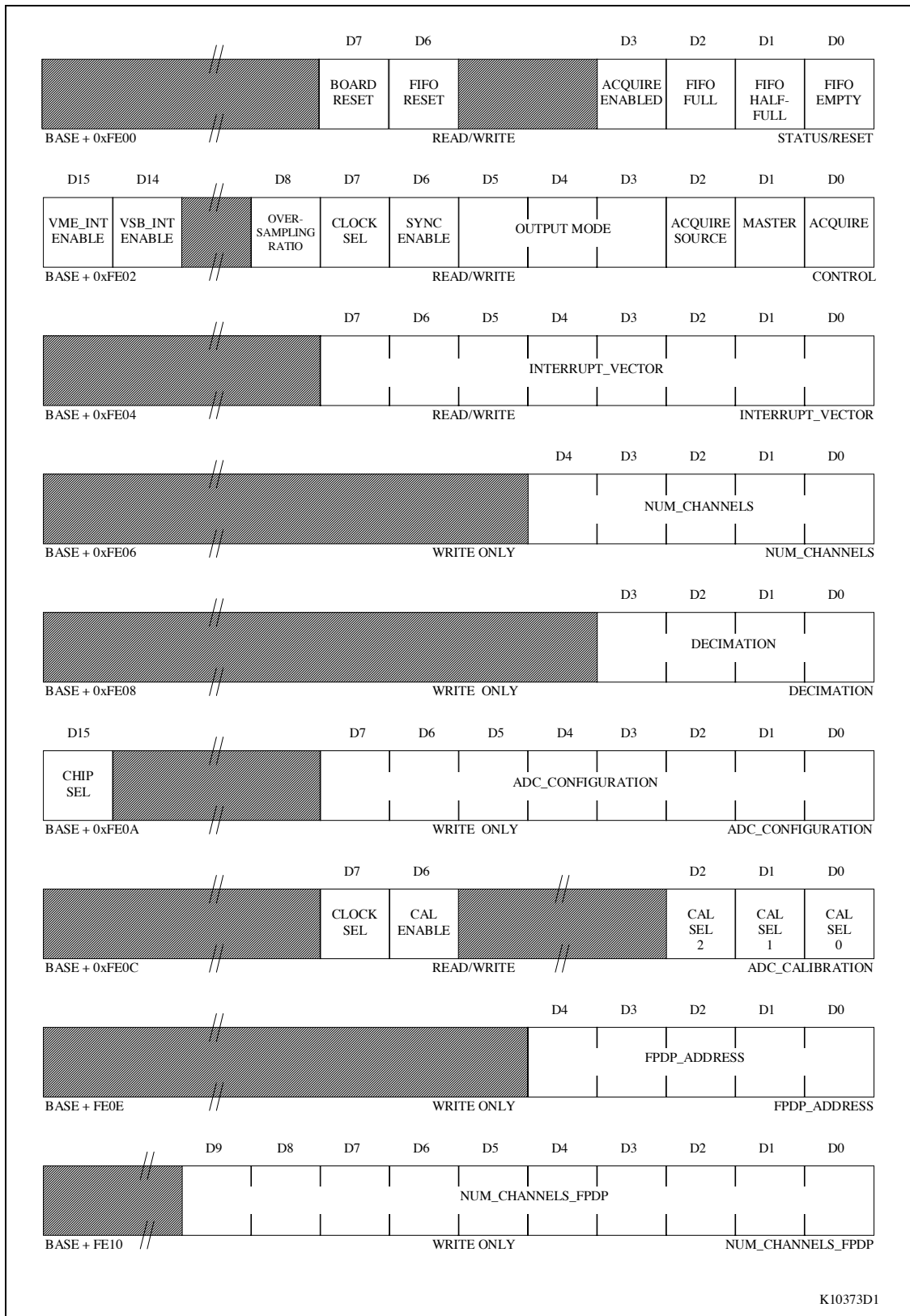


Figure 11 – ICS-110B Register Descriptions

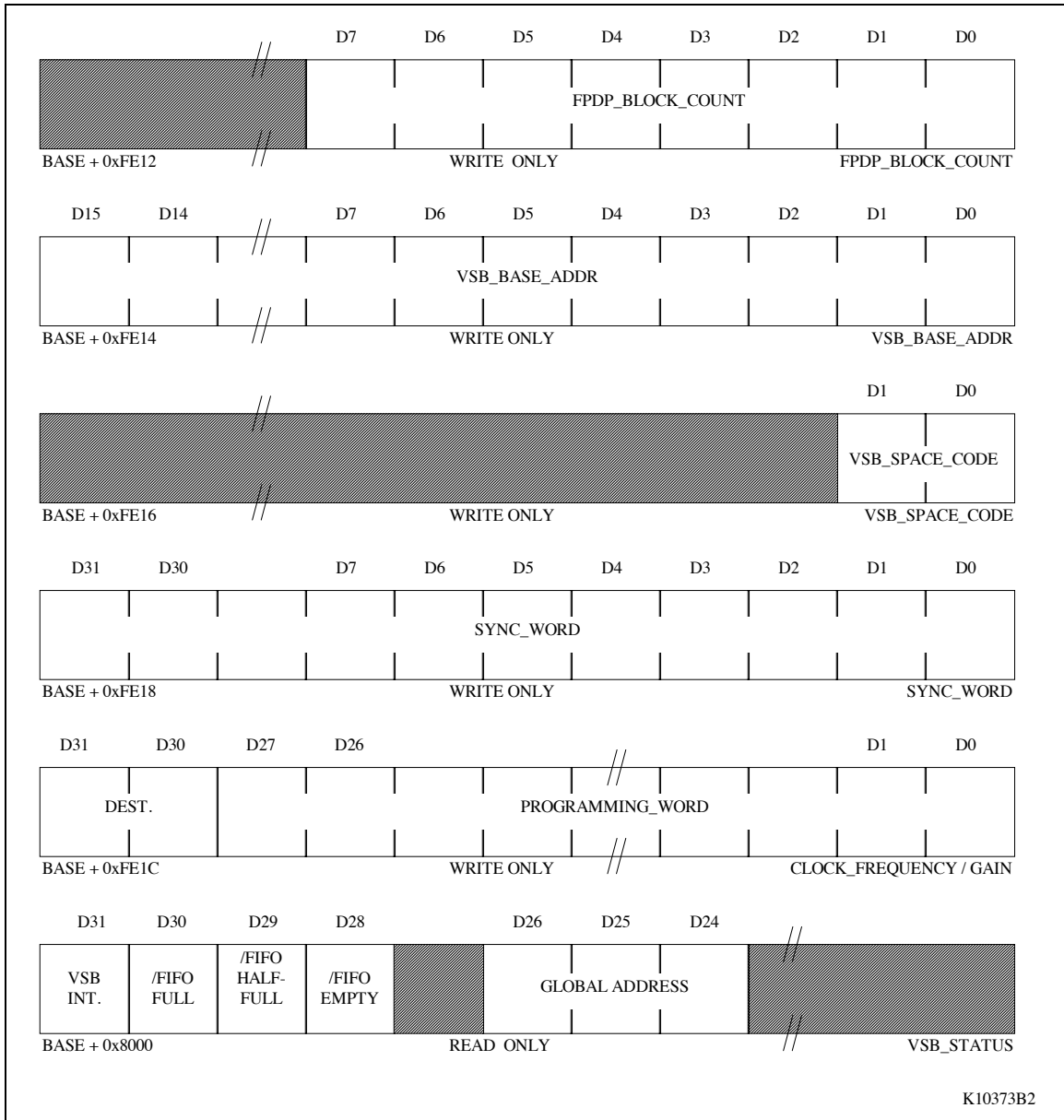


Figure 12 - ICS-110B Register Descriptions (cont'd)

5.2 ADC Data Area (VMEbus)

Read Only

This area of the memory map provides the user with access to the ADC Data FIFO when VMEbus has been selected as the output path (CR<05:03> = 0 or 2). The VMEbus ADC Data area is 16,256 long words in length (0xFE00 = 65,024Bytes).

When addressing the ADC Data area, successive reads need not be to sequential addresses. Any access within the valid address range from the base address (see above) will read the next data value from the FIFO. It is valid to use the same address on every access, if desired. Random access to ADC data is not available.

For more information on ADC Data FIFO organization, consult section 6.1.

5.3 Status/Reset Register

Read/Write

The Status/Reset register allows the user to monitor the ADC Data FIFO for full, half-full, and empty conditions, as well as inform the user as to the current acquisition status. The status bits are read only. The register also allows the user to perform a Board reset or a ADC Data FIFO reset; these bits are write only.

5.3.1 SR<00> - FIFO Empty

Read Only

This bit informs the user as to whether or not the ADC Data FIFO is empty. When reading data from the ADC Data FIFO, the user should check the state of this flag before each read, in order to ensure that valid data remains in the FIFO.

SR<00>	FIFO Status
0	Not Empty
1	Empty

5.3.2 SR<01> - FIFO Half Full

Read Only

This bit informs the user as to whether or not the ADC Data FIFO is at least half-full. If VMEbus interrupts were enabled by means of CR<15>, a VMEbus interrupt will occur when the FIFO is at least half full. If VSB interrupts were enabled (CR<14>), a VSB interrupt will occur when the FIFO is at least half full. Note that the half full state occurs when the FIFO contains 16K samples (total from all selected channels) in unpacked mode, or 32K samples in packed mode.

SR<01>	FIFO Half Full
0	Less than Half Full
1	More than Half Full

5.3.3 SR<02> - FIFO Full

Read Only

This bit informs the user as to whether or not the ADC Data FIFO is full. This indicates an error condition, since data may have been lost. In this event, the user should stop acquisition, do a Board Reset (see section 5.3.6) and program the required configuration to the board before continuing. Note that the full state occurs when the FIFO contains 32K samples (total from all selected channels) in unpacked mode, or 64K samples in packed mode.

SR<02>	FIFO Full
0	Not Full
1	Full

5.3.4 SR<03> - Acquire Enabled

Read Only

This bit reflects the current acquisition status. When acquisition is enabled either internally or externally, the ICS-110B waits until the beginning of the next frame before beginning to store data to the ADC Data FIFO. This ensures channel 0 is the first valid channel read from the ADC Data FIFO.

Similarly, when acquisition is disabled, the ICS-110B waits until the end of the current frame before ending the acquisition cycle. This ensures that the complete current frame of data is written to the ADC Data FIFO before the acquisition cycle is stopped.

SR<03>	Acquire Enabled
0	Not running
1	Running

5.3.5 SR<07> - FIFO Reset

Write Only

Setting this bit resets the ADC Data FIFO to an empty condition. All data stored in the FIFO prior to the FIFO Reset operation is lost.

This operation should always be done after configuring the board and before enabling acquisition, to make sure that the ADC FIFO memory is empty prior to starting acquisition.

SR<07>	FIFO Reset
0	No action
1	Reset FIFO Memory

5.3.6 SR<08> - Board Reset

Write Only

When this bit is set, the ICS-110B board is reset. Acquisition is halted and the board is reset to default (power up) conditions. In general, a Board Reset should not be done unless a fault condition (e.g. FIFO Full) has occurred. The effect of doing this, in detail, is as follows:

1. Control Register set to default values.
2. ADC Data FIFO reset to empty condition.
3. Any acquisition is immediately terminated.
4. The VSB interface is disabled (see section 3.12).

The above conditions also apply after a hardware VMEbus reset. All data already acquired to the ADC Data FIFO prior to the board reset operation is lost.

SR<08>	Board Reset
0	No action
1	Reset ICS-110B

5.4 Control Register

Read/Write

The control register allows the user to configure the following operating parameters:

- acquisition start and stop control through software
- sampling master/slave selection
- internal/external acquisition control selection
- output mode (VMEbus packed/unpacked, VSB packed/unpacked, FPDP)
- internal/external clock selection
- oversampling ratio
- enable/disable VMEbus or VSB interrupts

The control register bits are discussed in detail below. The reset default for each CR bit reflects the bit's state after a hardware VMEbus reset or a software reset via SR<08>. Note that all undefined CR bits must be set to zero.

5.4.1 CR<00> - Acquire

This bit allows the user to start and stop acquisition under software control when internal triggering has been selected by setting CR<02> (Acquire Source) = 0. When Acquire=0, data acquisition is disabled and data is not written to the ICS-110B FIFO memories. When Acquire=1, data acquisition is enabled and data is written to the ICS-110B ADC Data FIFO memories.

CR<00>	Acquire
0	Stop Acquisition
1	Start Acquisition

Reset Default: Acquire=0.

5.4.2 CR<01> - Master

This bit allows the user to specify whether the board is configured as a Sampling Master or a Sampling Slave. When CR<01> = 1, the board is configured as a Sampling Master. When CR<01> = 0, the board is configured as a Sampling Slave. This bit must be set on Stand-alone Master boards.

CR<01>	Master
0	Sampling Slave
1	Sampling Master

Reset Default: Master=0.

5.4.3 CR<02> - Acquire Source

This bit allows the user to specify the triggering source for the Sampling Master (or Stand-alone Master), which can be either under software control using CR<00> (when Acquire Source=0), or under hardware control using the differential EXT_ACQ signal applied to P4 pins 9 and 10 (when Acquire Source =1). Note that a Slave's Acquire Source must always be set to Internal.

CR<02>	Acquire Source
0	Internal Trigger
1	External Trigger

Reset Default: Acquire Source=0 (Internal Trigger).

5.4.4 CR<05:03> - Output_Mode

These bits allow the user to specify the output path of the converted data. All output paths use 32-bit (D32) data path width. For all three output paths, the signed 24-bit samples from each channel may be output as one sample per 32-bit word, justified to the most significant 24 bits of each word. Alternatively, for VMEbus and VSB output (but not FPDP output), the data may be truncated to 16 bits and output as two samples per 32-bit word. The two output formats are referred to in the following table as unpacked data and packed data, respectively. Tables showing the format of packed and unpacked data are given in section 6.

Output Mode			Output Path
CR<05>	CR<04>	CR<03>	
0	0	0	VMEbus (Packed)
0	0	1	VSB (Packed)
0	1	0	VMEbus (Unpacked)
0	1	1	VSB (Unpacked)
1	0	0	FPDP Master
1	0	1	FPDP Slave

Reset Default: Output Mode=0 (VMEbus Packed).

5.4.5 CR<06> - Sync Enable

This bit is reserved for future use. It must be set to zero when programming the board.

Reset Default: Sync Enable=0.

5.4.6 CR<07> - Clock Select

This bit allows the user to select either internal or external clock. When using an external clock in multiple board systems, external clock should be selected on the Sampling Master board only. All Sampling slaves should have internal clock selected.

CR<07>	Clock Select
0	Internal
1	External

Reset Default: Clock Select=0 (Internal).

5.4.7 CR<08> - Oversampling Ratio

This bit sets the oversampling ratio of the converter. 128 times oversampling provides superior signal-to-noise ratio performance but is available only for output rates up to 50kHz. 64 times oversampling is available for output rates up to 100kHz.

CR<08>	Oversampling ratio
0	Oversampling ratio = 64 x
1	Oversampling ratio = 128 x

Reset Default: Oversampling ratio = 0 (64 x).

5.4.8 CR<14> - VSB Int Enable

Setting this bit enables VSB interrupts when the ADC Data FIFO becomes half-full.

CR<14>	VSB Int Enable
0	VSB Interrupt disabled
1	VSB Interrupt enabled

Reset Default: VSB Interrupt disabled.

5.4.9 CR<15> - VME Int Enable

Setting this bit enables VMEbus interrupts when the ADC Data FIFO becomes half-full.

CR<15>	VME Int Enable
0	VMEbus Interrupt disabled
1	VMEbus Interrupt enabled

Reset Default: VMEbus Interrupt disabled.

5.5 Interrupt Vector Register

Read/Write

This register allows the user to specify the VMEbus interrupt vector for the board, and must be written before enabling VMEbus interrupts. When using an ICS-supplied software device driver, it is not necessary for the user to program this register, since the driver does so.

5.6 Num Channels Register

Write Only

This register allows the user to set the number of channels to be acquired in each frame. Unused channels are simply discarded prior to storage in the ADC Data FIFO. The number of channels selected for acquisition must be an even number, and not greater than the channel capacity of the board. The register must be set to the actual number of channels required less one. Thus, valid numbers written to this register are 1 (2 channels) to 31 (32 channels), in steps of 2.

In multiple board synchronous sampling configurations (i.e. P4 bussed), it is mandatory to allocate the full 32 channels on all boards except the End Slave.

Reset Default: None

5.7 Decimation Register

Write Only

This register is used to set the decimation factor. Decimation is done by periodically discarding a specified number of samples from each channel at the output of the converters, before the samples are written to the ADC Data FIFO. The decimation is applied equally to all channels.

The register allows the user to specify the decimation factor in the range 1 to 16. The number programmed to the register must be the required decimation factor minus one. The decimator behaviour is given by the following equations:

$$f_{OP_DEC} = \frac{f_{OP}}{DF}$$

$$DF = (N + 1)$$

where :

f_{OP_DEC} = Decimated output rate (Hz)

f_{OP} = Output Rate before decimation (Hz)

DF = Decimation factor

N = Programmed decimation value (0 - 15)

For example, when Decimation=0, no decimation of the output takes place. When Decimation=1, every second output frame of data is decimated.

5.8 ADC Configuration

Write Only

This register is used for setting the configuration of the Analog-to-Digital converters, and provides access directly to a series of registers located on the converters themselves. All converters are accessed simultaneously and are programmed with the same values.

The converters contains 24 registers. These registers are described in detail in the CS5396 / CS5397 Product Information available from Crystal Semiconductor Products Division of Cirrus Logic Inc. (ref. 1). The first register has address 1.

Several essential converter features are only accessible by this means. They are:

- Converter calibration - this should always be done following power-up.
- Disabling of on-chip high-pass filter

These features are described in detail in section 3.15.

The converter registers are programmed by writing the on-chip register address followed by the data for each register to be programmed. Registers are programmed sequentially starting with the address specified; any number of registers may be programmed in one sequence without reloading the address, providing that all registers to be accessed occupy consecutive addresses. Every value written to this register must have bit 15 (chip select) set, and a zero value must be written first in order to prepare the interface for programming. The procedure is as follows:

1. Write value 0x8000 to this register (i.e. zero data with chip select bit set).
2. Write address of first register to be programmed.
3. Write successive bytes of data to this register, in order of ascending register address.
4. Write zero to disable interface.

Note 1: The user should avoid programming converter register address 6, since this contains the individual converter address and may cause difficulty with further programming.

Note 2: The Slave/Master mode bit (bit 2) of the Mode register (address 2) must be set to 1 at each access, since the converters must be slaved to external clock signals.

Note 3: A delay of at least 34ms must be observed after each write to this register. In addition, refer to section 3.15 for the delay required for calibration to be completed.

The default ADC configuration following power up is as follows:

- High pass filter enabled.
- 24-bit output mode enabled

5.9 ADC Calibration

Read/Write

This register is used to configure the calibration circuit on the signal conditioning daughter board. It is not available if the daughter card is not present. This feature should not be confused with converter chip calibration which is always available.

5.9.1 ADC Calibration<02:00> - Cal/Test Waveform Select

When using the on-board calibration signal generator, these bits select which waveform is to be used. The on-board PROM stores eight waveforms, numbered 0 through 7.

5.9.2 ADC Calibration<06> - Cal/Test Enable

This bit selects the calibration/test signal (either from the PROM or from the external calibration/test signal input), for input to all ADC channels, when set. When clear, the front panel analog signal inputs are selected.

5.9.3 ADC Calibration<07> - Clock Sel

This bit selects the on-board PROM as the source of the calibration/test signal, when set. When clear, the external calibration/test signal is selected. For this selection to be active, ADC Calibration<06> must be set.

5.10 FPDP Address Register

Write Only

This register is used to set the FPDP board address in a multiple board system when using the Front Panel Data Port. The board address is used to control the reading of data over the FPDP in a multi-board system.

The FPDP board address must be set, even if only one ICS-110B board is in use. In this case the board address must be set to zero.

The FPDP Address should be programmed as zero on the first board (FPDP Master), and should then be allocated in ascending order to each board in turn. For a 3-board system the FPDP Addresses should be allocated as follows:

Master : BOARD_ADDRESS=0.
Mid-Slave : BOARD_ADDRESS=1.
End-Slave : BOARD_ADDRESS=2.

The highest FPDP Address allowed in a multi-board system is 31 (for a 32-board system).

5.11 Num Channels FPDP Register

Write Only

This register allows the user to select the total number of channels when using the Front Panel Data Port. The number of channels in a single or multi-board system must be an even number. Num Channels FPDP must be set to the actual number of channels less one. This register only needs to be set on the FPDP Master. When configuring multiple board systems with more than one FPDP, this register must be programmed on each FPDP Master, and must indicate the number of channels assigned to that FPDP bus only (not the total number of channels for all FPDP busses).

As an example, an 80-channel system would consist of three boards defined as follows:

Master : Num Channels=31 (32 channels),
 Num Channels FPDP=79 (80 channels in system).
Middle-Slave : Num Channels =31 (32 channels).
End-Slave : Num Channels =15 (16 channels).

The maximum number of channels in a multi-board system when using the Front Panel Data Port is limited to 1024 (32 boards) (Num Channels FPDP = 1023). Note that in bussed configurations, it is mandatory for all boards, except for the End Slave, to have 32 channels allocated.

5.12 FPDP Block Count Register

Write Only

This register defines, when configured for FPDP output, how many frames are stored in a block before a bank switch occurs.

The number programmed into this register, specifying the number of frames per block, must be the actual number of frames minus one (FPDP Block Count = 0 to 255).

In general, users should use a larger FPDP Block Count value unless latency is a critical issue, in which case a value of zero may be programmed to this register to provide the lowest possible latency. In this case, the user should ensure that the receiving FPDP interface is capable of keeping up with the data rate without asserting the FPDP Suspend (SUSPEND*) signal, otherwise data may be lost.

5.13 VSB Base Address Register

Write Only

This register specifies A16-A31 of the board's VSB Base Address. A write operation to this register enables the VSB interface.

5.14 VSB Space Code Register

Write Only

This register specifies the board's VSB Space Code. Generally all boards in the system should be configured with the same space code, otherwise they will not be able to communicate.

5.15 Sync Word Register

Write Only

This register is reserved for future use.

The composite value programming word should then be written to the Clock Frequency/Gain register with bit 30 set high.

5.17 ADC Data Area (VSB)

Read Only

This area of the memory map provides the user with access to the ADC Data FIFO when VSB has been selected as the output path (CR<05:03> = 1 or 7). Each access to this area will read successive samples from the ADC Data FIFO, regardless of the actual address used. Random access to the FIFO is not available. The VSB ADC Data area is 8,192 long words in length (32 KBytes, = 0x8000).

When addressing the ADC_DATA area, successive reads need not be to sequential addresses. Any access within the valid address range from the base address (see above) will read the next data value from the FIFO. It is valid to use the same address on every access, if desired.

For more information on ADC Data FIFO organization, consult section 6.1.

5.18 VSB Status Register

Read Only

The ICS-110B VSB interface includes a 32-bit VSB Status register. This register provides information regarding FIFO status (the same as that provided by the VMEbus Status register), as well the status of the VSB interrupt generator on the ICS-110B. Because the ICS-110B supports polled interrupts, this STATUS register must be read after a VSB interrupt to verify the origin of the interrupt. When this register is read, VSB interrupts are automatically disabled.

5.18.1 VSB Status<26:24> - Global Address

These three bits reflect the VSB Global Address of the ICS-110B. The Global Address of the ICS-110B is slot dependant with regard to the VSBbus backplane. The leftmost board in the VSBbus backplane has a Global Address = 0. The next board to the right has a Global Address = 1, and so on. The VSB Global Address is defined and hardwired on the VSB backplane, and does not need to be set by the user.

5.18.2 VSB Status<28> - FIFO Empty

This bit informs the user as to whether or not the ADC Data FIFO is empty. When reading data from the ADC Data FIFO, the user should check the state of this flag before each read, in order to ensure that valid data remains in the FIFO.

VSB Status <28>	FIFO Status
1	Not Empty
0	Empty

5.18.3 VSB Status<29> - FIFO Half Full

This bit informs the user as to whether or not the ADC Data FIFO is at least half-full. If VMEbus interrupts were enabled by means of CR<15>, a VMEbus interrupt will occur when the FIFO is at least half full. If VSB interrupts were enabled (CR<14>), a VSB interrupt will occur when the FIFO is at least half full.

VSB Status <29>	FIFO Half Full
1	Less than Half Full
0	More than Half Full

5.18.4 VSB Status<30> - FIFO Full

This bit informs the user as to whether or not the ADC Data FIFO is full. This indicates an error condition, since data may have been lost. In this event, the user should stop acquisition, do a Board Reset (see section 5.3.6) and program the required configuration to the board before continuing.

VSB Status <30>	FIFO Full
1	Not Full
0	Full

5.18.5 VSB Status<31> - VSB Int

When this bit = 1, a VSB interrupt is pending for this board. When VSB Int = 0, no interrupt has been generated.

5.19 VSB Interrupt Enable Register

Read Only

Performing a read operation at this register enables VSB interrupts. For the ICS-110B to source a VSBbus interrupt, this register must be read AND the VSB Int Enable bit (CR<14>) must be set.

See section 6.3 for an example of how to set up an ICS-110B VSB interrupt mechanism.

6. USING THE ICS-110B

This section provides an overview of the board operation through the use of examples.

6.1 ADC Data FIFO Organization

This section discusses ADC Data FIFO organization with respect to the different output modes.

6.1.1 VMEbus Data Organization

Data from the ADC Data FIFO may be read over the VMEbus as 32-bit (longword) read operations from the ICS-110B VMEbus ADC Data area at VMEbus address $\text{BASE}+0x0$ (BASE refers to the base address of the ICS-110B). Table 6.1 shows the organization of the ADC Data FIFO for Packed Output Mode transfers.

Table 6.2 shows the organization of the ADC Data FIFO for Unpacked Output Mode transfers.

To access data over the VMEbus, CR<05:03> (Output Mode) should be set to 0 or 2.

6.1.2 VSBbus Data Organization

Data from the ADC Data FIFO is accessible over the VSBbus as 32-bit longword read operations from the ICS-110B VSBbus ADC Data area at VSB address BASE (BASE refers to the VSBbus base address of the ICS-110B). The organization of the ADC Data FIFO as seen by the VSB is the same as that for the VMEbus.

To access data over the VSBbus, CR<05:03> (Output Mode) should be set to 1 or 7.

6.1.3 FPDP Data Organization

The ICS-110B FPDP interface allows the user to move data at rates of up to 20 MSample/s. This standard supports a 32-bit data bus, however the ICS-110B drives only 24 bits of the data bus (bits D31 through D08). Bits D07:D00 are held in the low state. Table 6.2 summarizes the data organization on the FPDP.

TABLE 6.1 - Packed Data Output Format (Eight Channels Selected)

	D31	D16	D15	D00
FIRST READ	CHANNEL 0 (T)		CHANNEL 1 (T)	
SECOND READ	CHANNEL 2 (T)		CHANNEL 3 (T)	
THIRD READ	CHANNEL 4 (T)		CHANNEL 5 (T)	
.	CHANNEL 6 (T)		CHANNEL 7 (T)	
.	CHANNEL 0 (T+1)		CHANNEL 1 (T+1)	
.	CHANNEL 2 (T+1)		CHANNEL 3 (T+1)	
.	CHANNEL 4 (T+1)		CHANNEL 5 (T+1)	
.	CHANNEL 6 (T+1)		CHANNEL 7 (T+1)	
.	CHANNEL 0 (T+2)		CHANNEL 1 (T+2)	
.	CHANNEL 2 (T+2)		CHANNEL 3 (T+2)	
.	CHANNEL 4 (T+2)		CHANNEL 5 (T+2)	
.	CHANNEL 6 (T+2)		CHANNEL 7 (T+2)	
.	CHANNEL 0 (T+3)		CHANNEL 1 (T+3)	
.				

TABLE 6.2 - Unpacked Data Output Format (Eight Channels Selected)

	D31	D08	D07	D00
FIRST READ	CHANNEL 0 (T)		0	
SECOND READ	CHANNEL 1 (T)		0	
THIRD READ	CHANNEL 2 (T)		0	
.	CHANNEL 3 (T)		0	
.	CHANNEL 4 (T)		0	
.	CHANNEL 5 (T)		0	
.	CHANNEL 6 (T)		0	
.	CHANNEL 7 (T)		0	
.	CHANNEL 0 (T+1)		0	
.	CHANNEL 1 (T+1)		0	
.	CHANNEL 2 (T+1)		0	
.	CHANNEL 3 (T+1)		0	
.	CHANNEL 4 (T+1)		0	
.				

6.2 Single-Board Real-Time VMEbus Operating Example

In this configuration, data is converted and accessed over the VMEbus using 32-bit read operations. The following example explains how to initialize the ICS-110B, and how to access the data in real-time using the VMEbus interrupt mechanism. A twenty channel configuration is assumed, operating at a 100 kHz output rate using the internal sampling clock in 64x oversampling mode. Acquisition control is internal using the ACQUIRE Control Register bit (CR<00>).

The board switch settings must be configured for Stand-Alone Master operation with internal clock and trigger, as in Figure 8.

1. Perform a board reset by writing to the Status/Reset register with SR<08> set.
2. Program the Clock Frequency register with a value calculated using the procedure of section 7.1 to set the sampling clock frequency to $100,000 \times 256 = 25.6$ MHz. Note that because the required oversampling ratio is 64x, the clock frequency must be set to 256x the required output rate.

3. Configure the ICS-110B CR as follows:

```
CR<00> ACQUIRE=0.  
CR<01> MASTER=1.  
CR<02> ACQUIRE SOURCE=0.  
CR<05:03> OUTPUT MODE=0.  
CR<06> SYNC ENABLE=0.  
CR<07> CLOCK SELECT=0.  
CR<08> OVERSAMPLING RATIO=0.  
CR<14> VSB_INT_ENABLE=0.  
CR<15> VME_INT_ENABLE=1.
```

4. Set NUM CHANNELS=19.
5. Write to the Status/Reset register FIFO RESET bit (SR<07>) to reset the ADC Data FIFO.
6. To begin acquisition, set CR<00> ACQUIRE=1.
7. Wait for a VMEbus interrupt.
8. When an interrupt occurs:
 - A. Disable interrupts by setting VME_INT_ENABLE=0.
 - B. Check for data loss by reading FIFO_FULL in the VMEbus Status/Reset register.
 - C. Perform up to 32,768 data transfers via the VMEbus ADC Data FIFO register.
 - D. Enable VMEbus interrupts by setting VME_INT_ENABLE=1.

For real-time operation, repeat steps 7. and 8.

6.3 Three-Board Real-Time VSB Operating Example

In this configuration, data is converted and accessed over the VSB using 32-bit read operations. The example explains how to initialize all three ICS-110B boards, and how to access the data in real-time using the VSB interrupt mechanism. A 96-channel configuration is assumed operating at a 20 kHz output rate in 128x oversampling mode using an external clock. Acquisition control is external using the P4 EXT_ACQ input. The board switches must be correctly set as explained in section 4 of this manual in order to achieve this.

A VSB base address of 0x10000000 is given to the Master board, with each slave spaced 0x10000 above the adjacent board.

The external trigger signal must be fed to EXT_ACQ+/- (pins 9 and 10) of the P4 Local Bus. The differential external clock signal must be fed to EXT_CLK+/- (pins 7 and 8) of the P4 Local Bus. The clock frequency must be 20 kHz x 512 = 10.24 MHz. Note that the ratio is 512 because the converter oversampling ratio is 128x.

Switch settings for this 3-board system should be as shown in Figures 5 to 7.

1. Perform a board reset by writing to the Status/Reset register with SR<08> set.
2. Configure the ICS-110B Master CR as follows:

```
CR<00> ACQUIRE=0.  
CR<01> MASTER=1.  
CR<02> ACQUIRE SOURCE=1.  
CR<05:03> OUTPUT MODE=1.  
CR<06> SYNC ENABLE=0.  
CR<07> CLOCK SELECT=1.  
CR<08> OVERSAMPLING RATIO=1.  
CR<14> VSB_INT_ENABLE=1. (Master produces VSB interrupt)  
CR<15> VME_INT_ENABLE=0.
```

```
VSB_BASE_ADDRESS = 0x1000.  
VSB_SPACE_CODE = 3.
```

Configure the ICS-110B Middle-Slave CR as follows:

```
CR<00> ACQUIRE=1.  
CR<01> MASTER=0.  
CR<02> ACQUIRE SOURCE=0.  
CR<05:03> OUTPUT MODE=1.  
CR<06> SYNC ENABLE=0.  
CR<07> CLOCK SELECT=0.  
CR<08> OVERSAMPLING RATIO=1.  
CR<14> VSB_INT_ENABLE=0.  
CR<15> VME_INT_ENABLE=0.
```

```
VSB_BASE_ADDRESS = 0x1001.
```

VSB_SPACE_CODE = 3.

Configure the ICS-110B End-Slave CR as follows:

CR<00> ACQUIRE=1.
CR<01> MASTER=0.
CR<02> ACQUIRE SOURCE=0.
CR<05:03> OUTPUT MODE=1.
CR<06> SYNC ENABLE=0.
CR<07> CLOCK SELECT=0.
CR<08> OVERSAMPLING RATIO=1.
CR<14> VSB_INT_ENABLE=0.
CR<15> VME_INT_ENABLE=0.

VSB_BASE_ADDRESS = 0x1002.
VSB_SPACE_CODE = 3.

3. On all three boards, set NUM_CHANNELS=31.
4. Write to the Status/Reset register FIFO RESET bit (SR<07>) on all three cards to reset the ADC Data FIFOs.
5. To start acquisition, assert the EXT_ACQ input signal.
6. Read the VSB INTERRUPT_ENABLE register of the Master ICS-110B to enable VSB interrupts.
7. Wait for a VSB interrupt.
8. When an interrupt occurs:
 - A. Check for data loss by reading FIFO Full bit in the VSB STATUS register of the Master.
 - B. Check that the Master ICS-110B was the source of the interrupt by verifying that the VSB Int bit in the VSB STATUS register of the Master is set. If the Master ICS-110B is NOT the interrupt source, skip step C.
 - C. Perform up to 32,768 data transfers via the VSB ADC Data FIFO register of each board.

For real-time operation, repeat steps 6. through 8.

6.4 Two-Board Real-Time FPDP Operating Example

In this configuration, data is converted by two ICS-110B boards and transmitted over the FPDP interface to a receiving board, which might be an ICS-2200, ICS-7220 or a Digital Signal Processor. The following example explains how to initialize both ICS-110B boards, as well as prepare the FPDP interface. A 40-channel configuration is assumed using the internal clock and operating at an output rate of approximately 1.2 kHz in 128x oversampling mode. In order to achieve this low output rate, a decimation factor of 2 must be programmed to the board, since the minimum output rate for the converters is 2kHz. The board is therefore programmed for a sample output rate of 2.4kHz, with a decimation factor of 2, in order to achieve an effective output rate of 1.2kHz. Acquisition control is external using the P4 EXT_ACQ+/- input.

The differential external trigger is applied to the EXT_ACQ+/- signal (pins 9 and 10) of the front panel P4 expansion connector. The FPDP bus must be connected between the two ICS-110B boards and the FPDP receiver. The FPDP receiver provides the necessary signals to read data from the ICS-110B FPDP.

With a two ICS-110B board configuration, the left-hand board should be configured as a Master, and the right-hand ICS-110B should be configured as an End-Slave. Switch settings for both these configurations should be as shown in Figures 5 and 7.

1. Perform a board reset by writing to the Status/Reset register with SR<08> set.
2. Program the Clock Frequency register with a value calculated using the procedure of section 7.1 to set the sampling clock frequency to $2,400 \times 512 = 1.2288$ MHz. Note that because the oversampling ratio is 128x, the clock frequency must be set to 512x the required output rate.
3. Configure the ICS-110B Master CR as follows:

```
CR<00> ACQUIRE=0.  
CR<01> MASTER=1.  
CR<02> ACQUIRE SOURCE=1.  
CR<05:03> OUTPUT MODE=4. (FPDP Master)  
CR<06> SYNC ENABLE=0.  
CR<07> CLOCK SELECT=0.  
CR<08> OVERSAMPLING RATIO=1.  
CR<14> VSB_INT_ENABLE=0.  
CR<15> VME_INT_ENABLE=0.
```

Configure the ICS-110B Slave CR as follows:

```
CR<00> ACQUIRE=0.  
CR<01> MASTER=0.  
CR<02> ACQUIRE SOURCE=0.  
CR<05:03> OUTPUT MODE=5. (FPDP Slave)  
CR<06> SYNC ENABLE=0.  
CR<07> CLOCK SELECT=0.  
CR<08> OVERSAMPLING RATIO=1.
```

CR<14> VSB_INT_ENABLE=0.
CR<15> VME_INT_ENABLE=0.

4. On the ICS-110B Master board, set NUM_CHANNELS=31.
On the ICS-110B Slave board, set NUM_CHANNELS=7.
5. On both ICS-110B boards, set DECIMATION=1. This sets the output data rate to $2.4 \text{ kHz}/2 = 1.2 \text{ kHz}$.
6. On the ICS-110B Master, set NUM_CHANNELS_FPDP=39.
7. On the ICS-110B Master, set BOARD_ADDRESS=0.
On the ICS-110B Slave, set BOARD_ADDRESS=1.
8. Write to the Status/Reset register FIFO RESET bit (SR<07>) on both cards to reset the ADC Data FIFOs.
9. On the ICS-110B Master, set FPDP_BLOCK_COUNT=0.
10. To start acquisition, change the level of the EXT_ACQ input signal from low to high logic level.

After step 10, the ICS-110B FPDP mechanism will begin to feed data over the FPDP bus to the FPDP receiver. The ICS-110B Master will handshake with the receiver in order to ensure that the receiver's buffer does not overflow; this handshake is mediated by means of the SUSPEND* and DVALID* FPDP signals. However, it is the responsibility of the FPDP receiver to keep up with the output data rate of the ICS-110B two-board system. Descriptions of FPDP signals are given in section 7.6 of this manual.

APPENDICES

7. APPENDICES

7.1 Programming the Internal Clock Generator

7.1.1 Introduction

The frequencies of the ICS-110B internal sampling clock and FPDP Strobe clock are controlled by programming programmable oscillators through the Clock Frequency/Gain register of the VMEbus memory map (see **Figure 10** and section 5.16). The device is programmed not in engineering units, but by means of a complex programming word whose construction is described below; a series of control words must also be written to the device. Data is transferred to the device serially; it is necessary to write the data to the ICS-110B Clock Frequency/Gain register one bit at a time; bit 0 of the register is the relevant bit. Thus the programming sequence should normally be done by repeatedly writing each control or programming word to the ADC Clock register, shifting the data right by one bit after each write, until all bits of the word have been written. The word to be programmed to the register includes the following fields.

1. Data to be loaded to programmable oscillator (bits 0 to 26).
2. Length of data in excess of 22 bits (bits 27 to 29). Note that these bits are also all set for control words, even though their length is less than 22 bits.
3. Destination bits (bits 30, 31) - see section 5.16 above.

Automatic calculation of the programming word is provided by the `ics110bcalcFoxWord()` function and other functions in the 'C' language function library supplied with the optional ICS-110B software drivers, available for VxWorks and Solaris 2 environments. These routines generate a 22-bit formatted programming word for the oscillator equivalent to the nearest possible frequency to that supplied as input by the user (in MHz), and also supply the actual frequency represented by the programming word, as an output.

7.1.2 Programming Summary

The oscillator device contains two registers, the Control Register and the Programming Word Register. The programming sequence is as follows:

1. Write to Control Register to configure device and prepare the device to receive the Programming Word.
2. Write Programming Word.
3. Write to Control Register to load Programming Word data into device.

4. Wait at least 10ms for device Voltage Controlled Oscillator (VCO) frequency to stabilize.
5. Write to Control Register to enable device output of new frequency.

7.1.3 Control Register

When writing data to the Control Register, it is necessary to include a Protocol Field to identify the data as Control Register data.

Protocol Field (6 bits) = 0 1 1 1 1 0

It is important that the sequence of four ones contained in the protocol field never be sent except as part of the Protocol Field. Thus, when writing programming word data to the device, it is necessary to use a technique of inserting an extra zero after a run of three ones; this technique is called "bit stuffing", and is described in more detail in section 7.1.4.

The control register contains eight bits, which are defined as shown in Table 7.1.

Table 7.1

Bit No.	Description	Function	Power-up Default
0	Enable Programming Word register to be written by next data	0 = Program Register Disabled 1 = Program Register Enabled to Receive Data	0
1	Internal Output Disable	0 = Output is VCO or f_{REF} 1 = Output is tri-stated	0
2	Internal Multiplexer	0 = Output is VCO frequency 1 = Output is f_{REF}	1
3	Device pin 7 usage	Set to zero only	0
4 - 7	Reserved	Set to 0	0000

Control register data is written to the device starting with bit 0 of the control word, continuing to bit 7 of the control word, and followed by the 6 bits of the Protocol field, for a total of 14 bits.

Note that the default configuration of the device following power-up results in the output being at the frequency of the reference oscillator which is 14.31818 MHz.

7.1.4 Programming Register

The Programming register is written with a 22-bit word describing the required frequency of the output. However, it is essential that programming words do not mimic the Control word Protocol field (see section 7.3.3 above) by containing runs of four consecutive ones. Thus, the device specification requires that a zero must be inserted in the word after each occasion when three one's have been transmitted to the device, regardless of whether the next bit is a 0 or a 1. This procedure is known as "bit stuffing". For this reason, the actual length of a programming word may vary between 22 and 29 bits. For example, to send this programming data:

Last Bit				First Bit
1111	0101	0111	1110	111111

Transmit this serial bit stream:

Last Bit				First Bit
10111	0101	00111	01110	01110111

The fields of the programming word are described in Table 7.2.

Table 7.2

Field	Bits	# of Bits	Notes
P Counter value (P)	<21:15>	7	MSB (Most Significant Bits)
Duty Cycle Adjust Up (D)	<14>	1	Set to logic 0
Mux (M)	<13:11>	3	
Q Counter Value (Q)	<10:4>	7	
Index (I)	<3:0>	4	LSB (Least Significant Bits)

The frequency of the programmable oscillator f_{VCO} , and the output frequency f_{OUT} are determined by these fields as follows:

$$f_{VCO} = 2 * f_{REF} * (P+3)/(Q+2)$$

where, f_{REF} = Reference frequency (i.e. 14.31818 MHz)

$$f_{OUT} = f_{VCO} / 2^M$$

The values of the P and Q parameters must be selected so that f_{VCO} remains between 50 MHz and 150 MHz, inclusive. The value programmed to the M field programs a division register to allow sub-multiples of the VCO frequency to be obtained at the output; the maximum divisor possible is 128.

The **Index field (I)** is used to preset the VCO to an appropriate range. The value for this field should be chosen from the following table. (Note that this table is referenced to f_{VCO} rather than to the desired output frequency.)

I	f_{VCO} (MHz)
0000	50 – 80
1000	80 - 150

If the desired VCO frequency is exactly 80 MHz, then either index value may be used (since both limits are tested). However, the manufacturer recommends using the setting corresponding to the higher frequency range.

7.1.5 VCO Programming Constraints

There are three primary programming constraints the user must be aware of:

- 1: 50MHz <= Fvco <= 150MHz
- 2: 1 <= P <= 127
- 3: 1 <= Q <= 127

The constraints have to do with the trade-offs between optimum speed with lowest noise, VCO stability and factors affecting the loop equation.

7.1.6 Program Register Example

The following is an example of how to calculate a clock programming word:

Derive the proper programming word for 12.8 MHz clock frequency.

Since 12.8 MHz < 50 MHz, quadruple it to 51.2 MHz

Set M to 010₂

Set I to 0000₂

The result:

$$f_{out} = 12.8 = (2 * 14.31818 * (P+3) / (Q+2)) / 2^M$$

where M = 0, 1, 2, 3, 4, 5, 6, 7

since M = 2: (P+3)/(Q+2) = 1.787936735

The two choices of P and Q giving the nearest to the required frequency are:

P	Q	f _{vco}	Error (PPM)
56	31	51.19834	32
115	64	51.19834	32
90	50	51.21503	293

Taking the first set of values, i.e. (P,Q) = (56,31):

P = 56 decimal = 0111000 binary = 0(0)111000

Q = 31 decimal = 0011111 binary = 0011(0)111

NOTE: The presence of three ones in a row in both P and Q values causes zero bit-stuff values to be inserted in each. However, it is necessary to examine the values in the previous (I) field before inserting a zero in the least significant bits of the Q value. If the I field had contained a 1 in the most significant position the inserted zero would have been in a different position.

The full programming word, W is therefore:

W = P, D, M, Q, I = 00111000, 0, 010, 00110111, 0000 = 001110000010001101110000 (382370 Hex)

7.1.7 Oscillator Programming Example

The oscillator requires three control words plus the programming word in order to program a new output frequency (see programming sequence given in section 7.1.2 above). The following paragraphs provide an overview of how the control words are build along side the programming word.

All data is written to the oscillator through the Clock Frequency/Gain register. Bits 30 and 31 of the register must be appropriately set to program the required oscillator (sampling clock or FPDP Strobe); these bits are not included in the example given here. An example of programming the oscillator to an initial or new frequency is as follows:

1. Load Control register to enable loading of the Programming word register, enable the output and select the reference frequency for output from the Internal Multiplexer. The Protocol word follows the control word.

	MS Bit	LS Bit
Control word	0 1 1 1 1 0 0 0 0 0 1 0 1	
	Protocol Word	Control Reg. Data

2. Program the desired output frequency value via a programming word that is 22 bits in length, plus any required bit stuffs. (Up to 27 bits can be obtained with bit-stuffing). The example programming word for 12.8 MHz, calculated in section 7.1.6 above, is shown below.

	MS Bit	LS Bit
Programming word for 12.8 MHz (0x382370)	0 0 1 1 1 0 0 0 0 0 1 0 0 0 1 1 0 1 1 1 0 0 0 0	

3. Load the Control register to disable further loading of the Programming word register. This causes the required output frequency value to be programmed while keeping the output set to the reference frequency for the time being.

	MS Bit	LS Bit
Control word	0 1 1 1 1 0 0 0 0 0 1 0 0	
	Protocol Word	Control Reg. Data

4. Wait at least 10ms for the VCO to settle to the new frequency. The value will be accurate to within 0.1% within this time.

5. Load the Control register to disable the Internal Multiplexer. This will cause the output to immediately swing to the new frequency.

	MS Bit	LS Bit
Control word	0 1 1 1 1 0	0 0 0 0 0 0 0 0
	Protocol Word	Control Reg. Data

7.2 Analog 1-16 Connector Details

Connector on board: ODD44F4R7NTX
 Mating connector: ODD44M..... (consult Manufacturer's data for details)
 Manufacturer: Positronics Industries Inc., (417)866-2322

PIN	SIGNAL	PIN	SIGNAL
32	CHANNEL 1-	33	CHANNEL 1+
18	CHANNEL 2-	19	CHANNEL 2+
3	CHANNEL 3-	4	CHANNEL 3+
34	CHANNEL 4-	35	CHANNEL 4+
20	CHANNEL 5-	21	CHANNEL 5+
5	CHANNEL 6-	6	CHANNEL 6+
36	CHANNEL 7-	37	CHANNEL 7+
22	CHANNEL 8-	23	CHANNEL 8+
7	CHANNEL 9-	8	CHANNEL 9+
38	CHANNEL 10-	39	CHANNEL 10+
24	CHANNEL 11-	25	CHANNEL 11+
9	CHANNEL 12-	10	CHANNEL 12+
40	CHANNEL 13-	41	CHANNEL 13+
26	CHANNEL 14-	27	CHANNEL 14+
11	CHANNEL 15-	12	CHANNEL 15+
42	CHANNEL 16-	43	CHANNEL 16+
16	EXTERNAL CALIBRATION INPUT		

Note 1: All other pins are connected to analog ground on the board.

Note 2: External Calibration signal used only when Daughter Board installed.

7.3 Analog 17-32 Connector Details

Connector on board: Positronics ODD44F4R7NTX (see above)

PIN	SIGNAL	PIN	SIGNAL
32	CHANNEL 17-	33	CHANNEL 17+
18	CHANNEL 18-	19	CHANNEL 18+
3	CHANNEL 19-	4	CHANNEL 19+
34	CHANNEL 20-	35	CHANNEL 20+
20	CHANNEL 21-	21	CHANNEL 21+
5	CHANNEL 22-	6	CHANNEL 22+
36	CHANNEL 23-	37	CHANNEL 23+
22	CHANNEL 24-	23	CHANNEL 24+
7	CHANNEL 25-	8	CHANNEL 25+
38	CHANNEL 26-	39	CHANNEL 26+
24	CHANNEL 27-	25	CHANNEL 27+
9	CHANNEL 28-	10	CHANNEL 28+
40	CHANNEL 29-	41	CHANNEL 29+
26	CHANNEL 30-	27	CHANNEL 30+
11	CHANNEL 31-	12	CHANNEL 31+
42	CHANNEL 32-	43	CHANNEL 32+

Note 1: All other pins are connected to analog ground on the board.

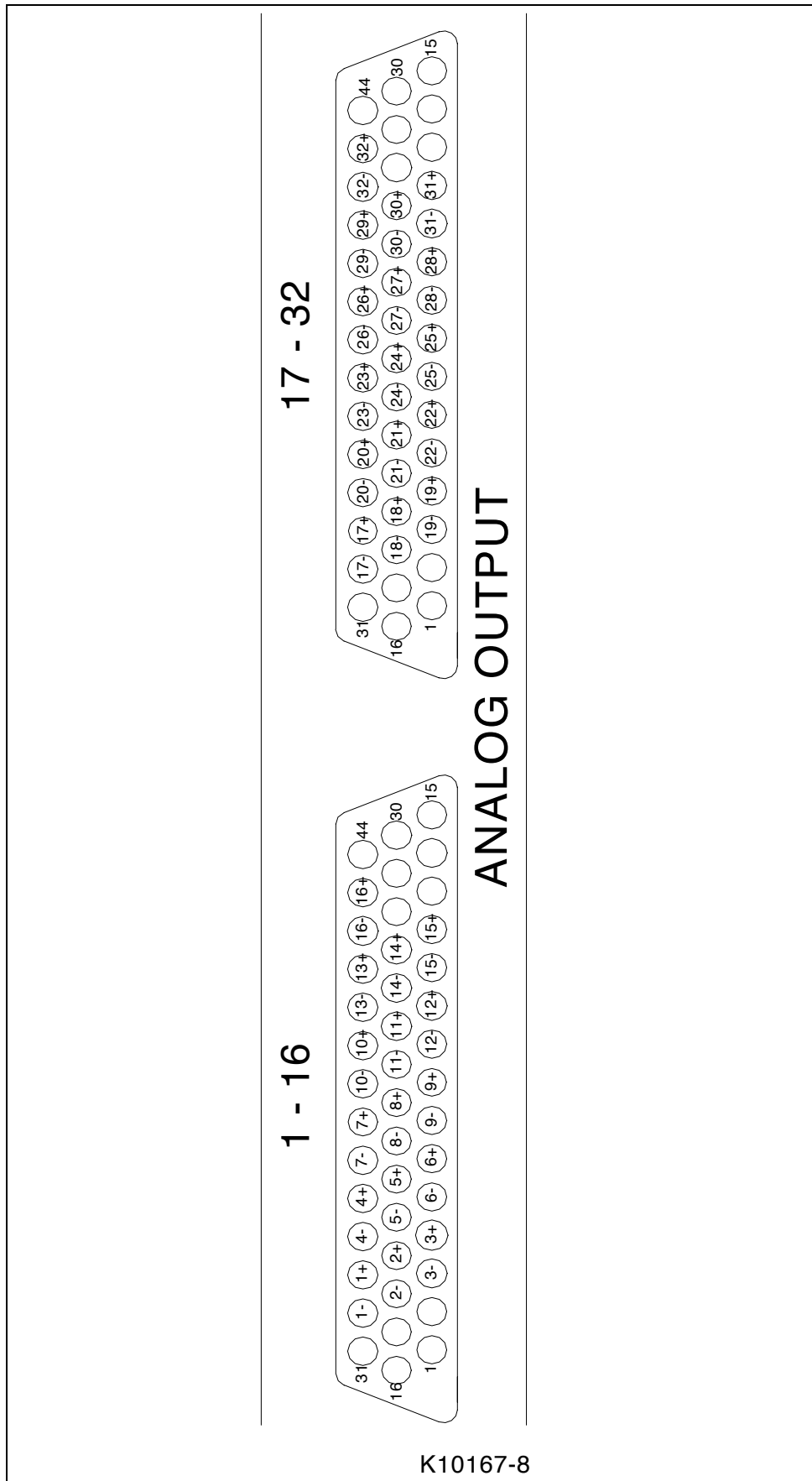


Figure 13 - ICS-110B Analog Connector Pinout

7.4 P4 Local Bus Connector Details

Connector on board: 501-2007ES
Mating connector: 622-2001 (Non-polarized)
622-2041 (Polarized)
Manufacturer: Thomas & Betts, (803)676-2900

PIN	DESCRIPTION
1	CLOCK+ (TTL+)
2	CLOCK- (TTL-)
3	GND
4	FRAME_TC
5	ACQUIRE_SYNC
6	BLOCK_SYNC
7	EXT_CLK+ (TTL+)
8	EXT_CLK- (TTL-)
9	EXT_ACQ+ (TTL+)
10	EXT_ACQ- (TTL-)
11	GND
12	DATA_CLOCK+ (PECL+)
13	DATA_CLOCK- (PECL-)
14	BOARD_ADDR0
15	BOARD_ADDR1
16	BOARD_ADDR2
17	BOARD_ADDR3
18	BOARD_ADDR4
19	DATA_CLOCK_EN
20	NC

7.5 P5 FPDP Details

Connector on board:	8831E-080-170L (KEL Corporation) P50E-080P1-SR1-TG (Robinson-Nugent)
Mating connector:	8825E-080-175 (with strain relief) 8825R-080-175 (without strain relief) P25E-080S-TG (Robinson-Nugent)
Manufacturer:	KEL Corporation, (408) 720-9044 Robinson-Nugent (812) 945-0211

Note 1: The ICS-110B uses 24 bits of the 32 bit data bus width available on the FPDP (D31:D00). The bits used are D31:D08. The ICS-110B data assignments are shown in brackets (d23:d00) in the pinout list. The unused pins are driven low.

Note 2: When connecting one or more ICS-110B boards to a DSP board, the user should be aware that some DSP implementations have the FPDP connector inverted. For the ICS-110B, the connector index mark appears at bottom right hand side of the connector when the board is mounted vertically in a chassis; cable conductor #1 is adjacent to this mark. In order to prevent the need to fold the FPDP ribbon cable, the cable is supplied with the DSP connector inverted. The pinouts at the DSP FPDP connector are therefore reversed, compared to the ones given below. In other words, at the DSP connector pin 1 connects to pin 80 at the ICS-110B, while pin 79 connects to pin 2 at the ICS-110B.

The FPDP is a high performance 32 bit parallel interface configured with a ribbon cable to connect boards or systems together. The simple and well-defined physical and electrical interface provides the basis for integrating many different types of boards and sub-systems. The maximum clock rate of the ICS-110B FPDP interface is 20 MHz, providing a sustained data rate of up to 80 MBytes/s. Since multiple FPDP buses are possible, the total data path bus bandwidth may be scaled to system requirements.

7.5.1 FPDP Connector Pin Assignments

The FPDP interface connector is an 80-pin high density connector available from KEL and Robinson-Nugent. The connector on the board is a KEL 8831E-080-170L or R-N P50E-080P1-SR1-TG and is shown in Figure 14. The mating cable connector is a KEL 8825E-080-175S or R-N P25E-080S-TG, and takes a single ribbon cable of 80 conductors on 0.025 inch pitch. Table 7.3 defines the connector pin assignments.

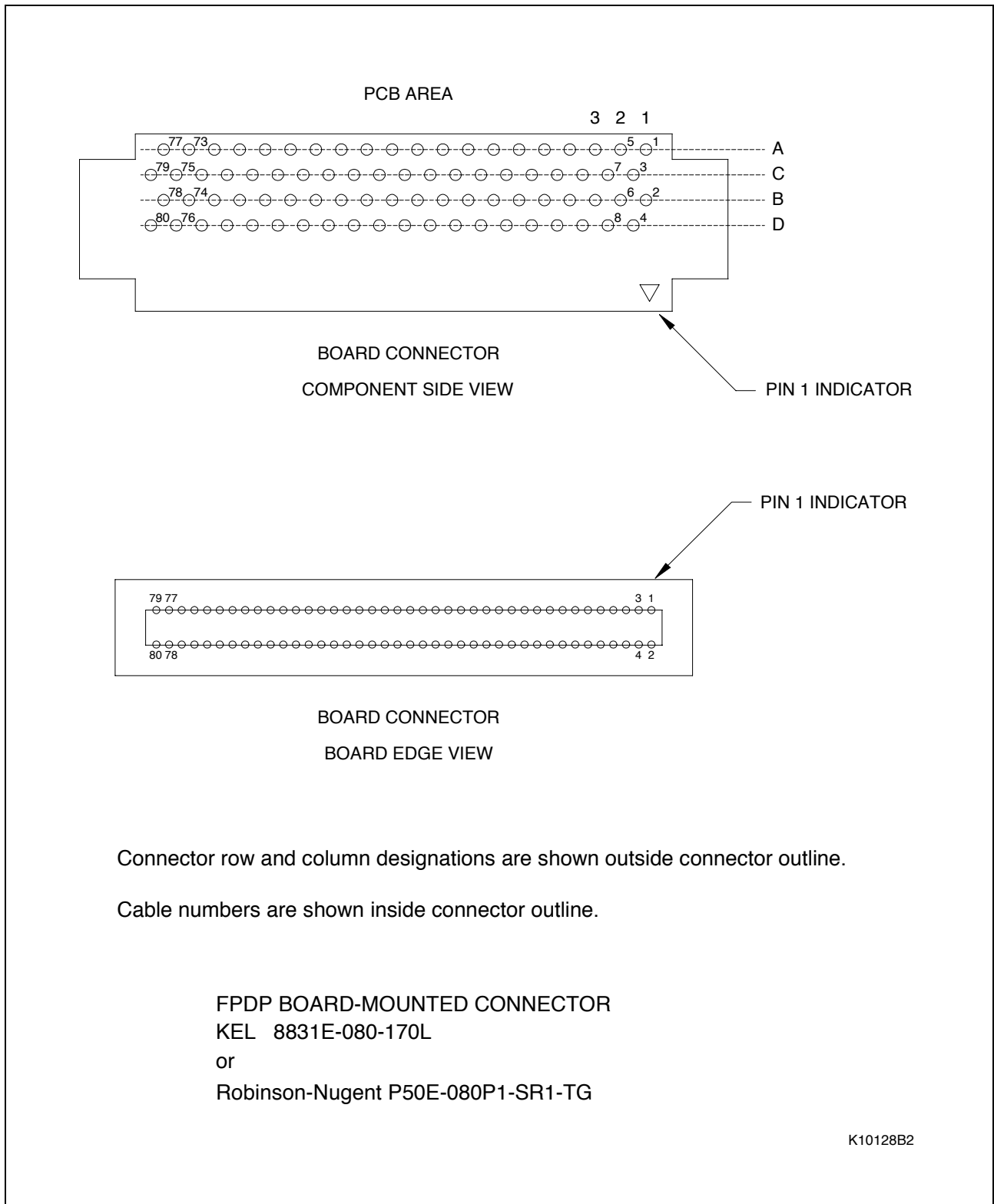


Figure 14 - FPDP Interface Connector

TABLE 7.3 ICS-110B FPDP P5 Connector Pin Assignments

PIN	SIGNAL	PIN	SIGNAL	PIN	SIGNAL	PIN	SIGNAL
1	GND	2	STROBE	3	GND	4	GND
5	GND	6	GND	7	NRDY*	8	GND
9	DIR*	10	GND	11	RESERVE D	12	GND
13	SUSPEND *	14	GND	15	GND	16	GND
17	PIO2	18	GND	19	PIO1	20	GND
21	RESERVE D	22	GND	23	RESERVE D	24	GND
25	PSTROBE	26	GND	27	PSTROBE *	28	GND
29	SYNC*	30	GND	31	DVALID*	32	GND
33	D31(d15)	34	D30(d14)	35	GND	36	D29(d13)
37	D28(d12)	38	GND	39	D27(d11)	40	D26(d10)
41	GND	42	D25(d09)	43	D24(d08)	44	GND
45	D23(d07)	46	D22(d06)	47	GND	48	D21(d05)
49	D20(d04)	50	GND	51	D19(d03)	52	D18(d02)
53	GND	54	D17(d01)	55	D16(d00)	56	GND
57	D15	58	D14	59	GND	60	D13
61	D12	62	GND	63	D11	64	D10
65	GND	66	D09	67	D08	68	GND
69	D07	70	D06	71	GND	72	D05
73	D04	74	GND	75	D03	76	D02
77	GND	78	D01	79	D00	80	GND

7.5.2 FPDP Signals

A description of FPDP signals is given in Table 7.4.

Further details concerning the FPDP design are given in ICS INPUT Technical Note No.16, which is available from the factory or from the ICS Web site at:

www.ics-ltd.com/technotes_white_papers.html

TABLE 7.4 ICS-110B FPDP Signal Descriptions

Signal/s	Signal Name	Description
D31:00	Data Bus	32 bit data bus driven by the data source.
DIR*	Data Direction	The data source asserts DIR* low.
DVALID*	Data Valid	When asserted, DVALID* indicates that the data bus has valid data. This signal is generated by the data source with each data sample.
STROB	Data Strobe	STROB is a free running clock supplied by the data source. The receiving end should clock the data with the rising edge of STROB.
NRDY*	Not Ready	NRDY* is asserted by the receiver when it is not ready to receive data. The data source must sample this signal until the receiver brings it high, at which time the transfer can commence. Since NRDY* is asynchronous to STROB, the data source should double-synchronize to it before sampling its state; this avoid metastability problems.
PIO1,PIO2	Prog. I/O	The PIO signals are programmable I/O lines for user-defined functions. They can be configured as inputs or outputs.
PSTROBE	+ PECL Data Strobe	This signal along with PSTROBE* are generated by the data source as an optional differential PECL (Positive Emitter-Coupled Logic) data strobe. PSTROBE is the positive version of the differential clock and has the same polarity as STROB. For high data rate applications, the differential PECL data strobe should be used instead of STROB. The user must configure the board appropriately; see section 4.2.
PSTROBE*	- PECL Data Strobe	This signal is the negative version of the differential PECL data strobe.
RESERVED		Do not connect to reserved signals.
SUSPEND*	Suspend Data	SUSPEND* is generated by the receiver to inform the data source of a pending FIFO overflow condition. The data source is allowed as many as 16 cycles before suspending the transfer. Since SUSPEND* is asynchronous to STROB, the data source should be double-synchronized to it before sampling its state; this avoids metastability problems.
SYNC*	Sync Pulse	The data source can provide a sync pulse to the receiver to synchronize data transfers. The receiver waits for the sync pulse before accepting data. The receiver starts accepting data on the first Data Valid period following the sync pulse.