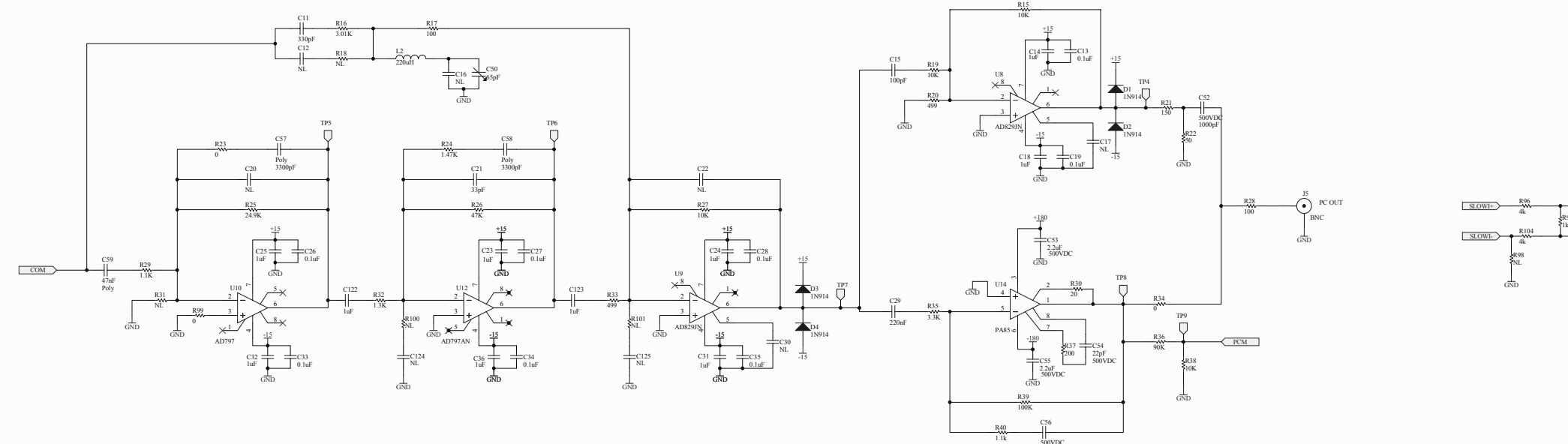
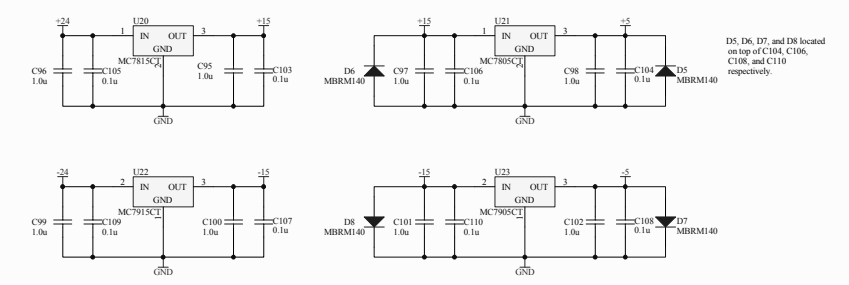
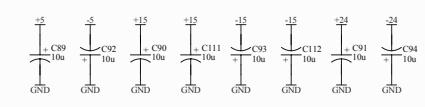
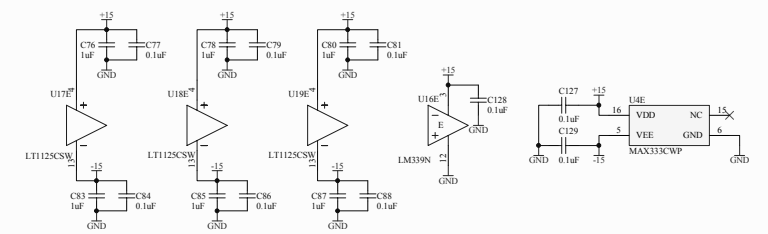
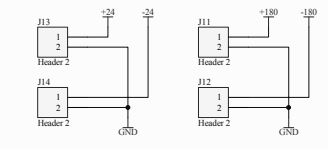
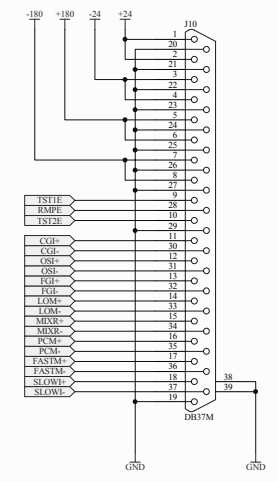
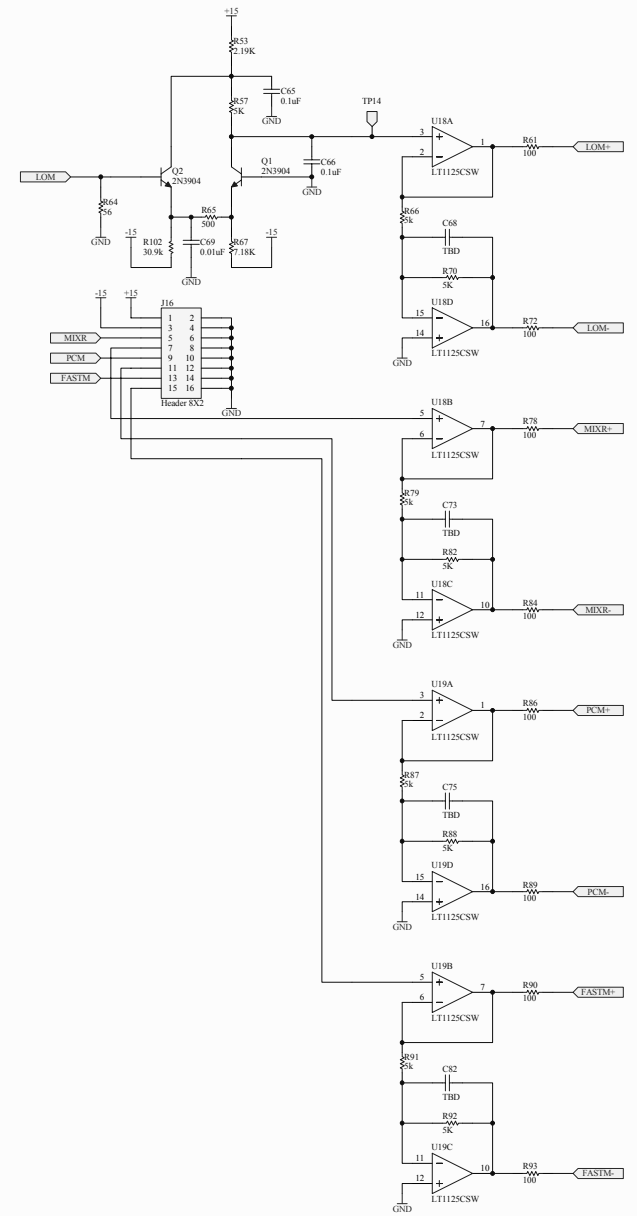
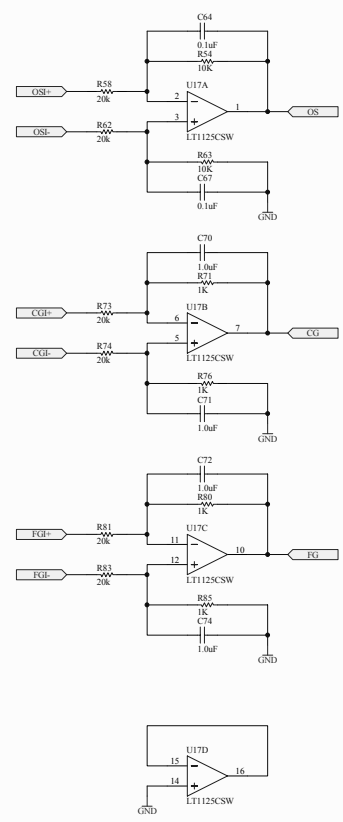
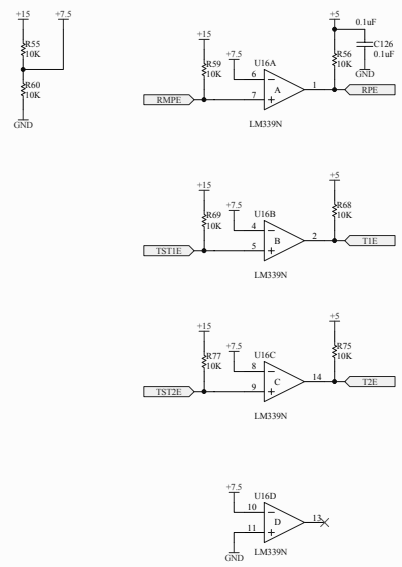


| | JMP1 | JMP2 |
|----------|------|------|
| Polarity | 1-2 | 2-3 |
| Pos. | 1-2 | 2-3 |
| Neg. | 2-3 | 1-2 |



Original Version Through Rev. F Designed and Drawn by Rich Abbott
 Table Top Version by Paul Schweinberg and Drawn by Josh Myers
 1/26/04



D5, D6, D7, and D8 located on top of C104, C106, C108, and C110 respectively.

Original Version Through Rev. F Designed and Drawn by Rich Abbott
Table Top Version by Paul Schweinberg and Drawn by Josh Myers