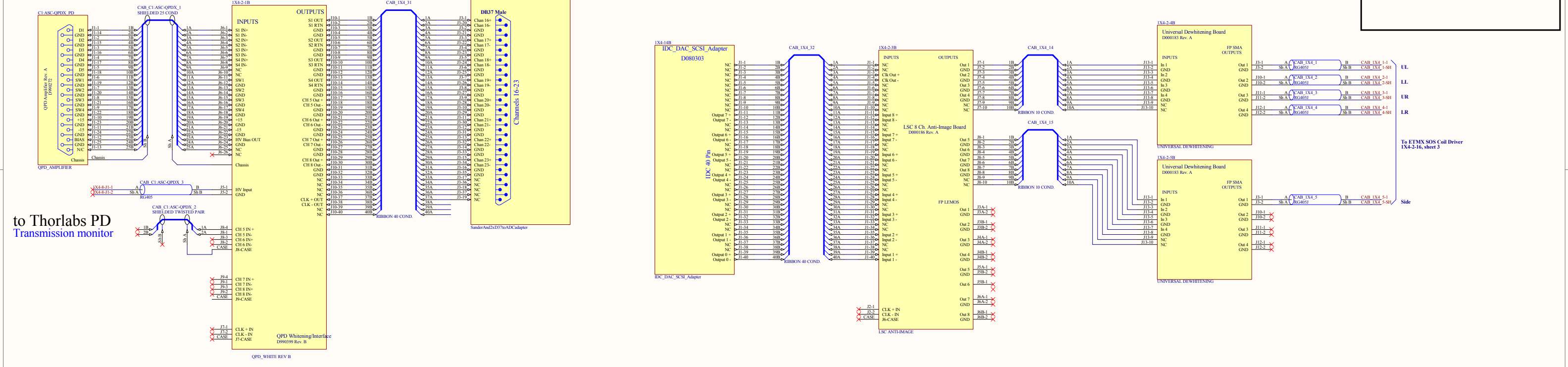
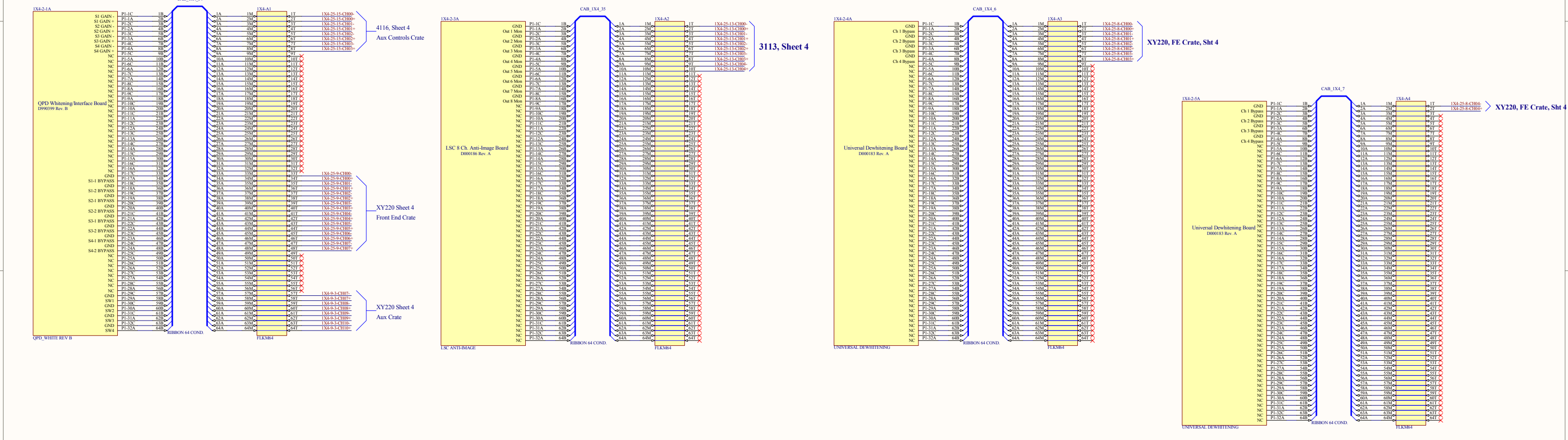


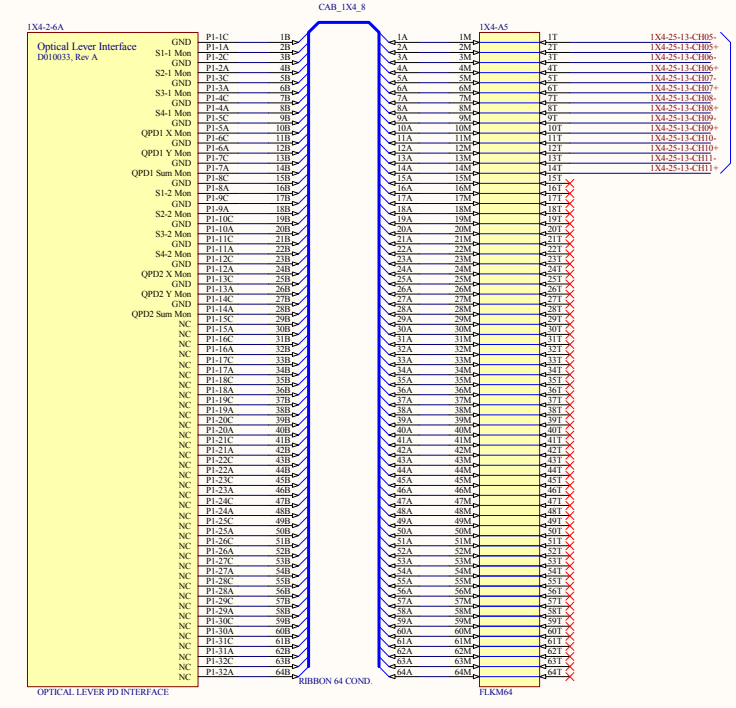
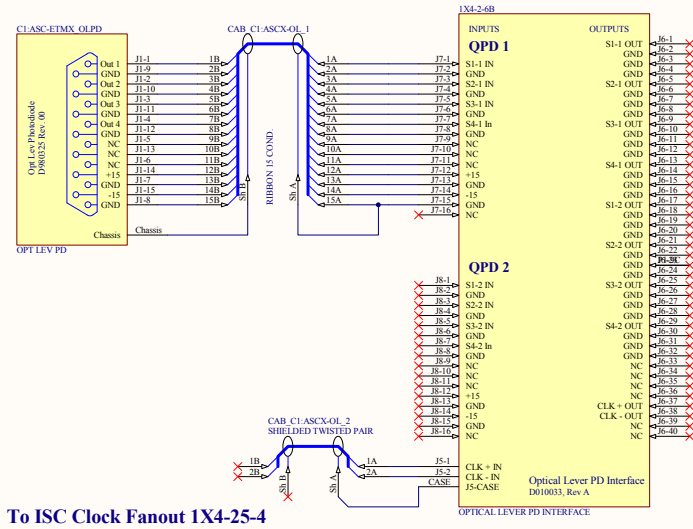
Note:  
 These drawings cover both the 40m X and Y End Stations.  
 The cable numbers and device names shown are for the X end.  
 Y end cable numbers and device numbers should be substituted accordingly.  
 The Y end rack number is 1Y9.  
 The QPD is QPDY, the COS is ETMY, etc.



to Thorlabs PD  
 Transmission monitor

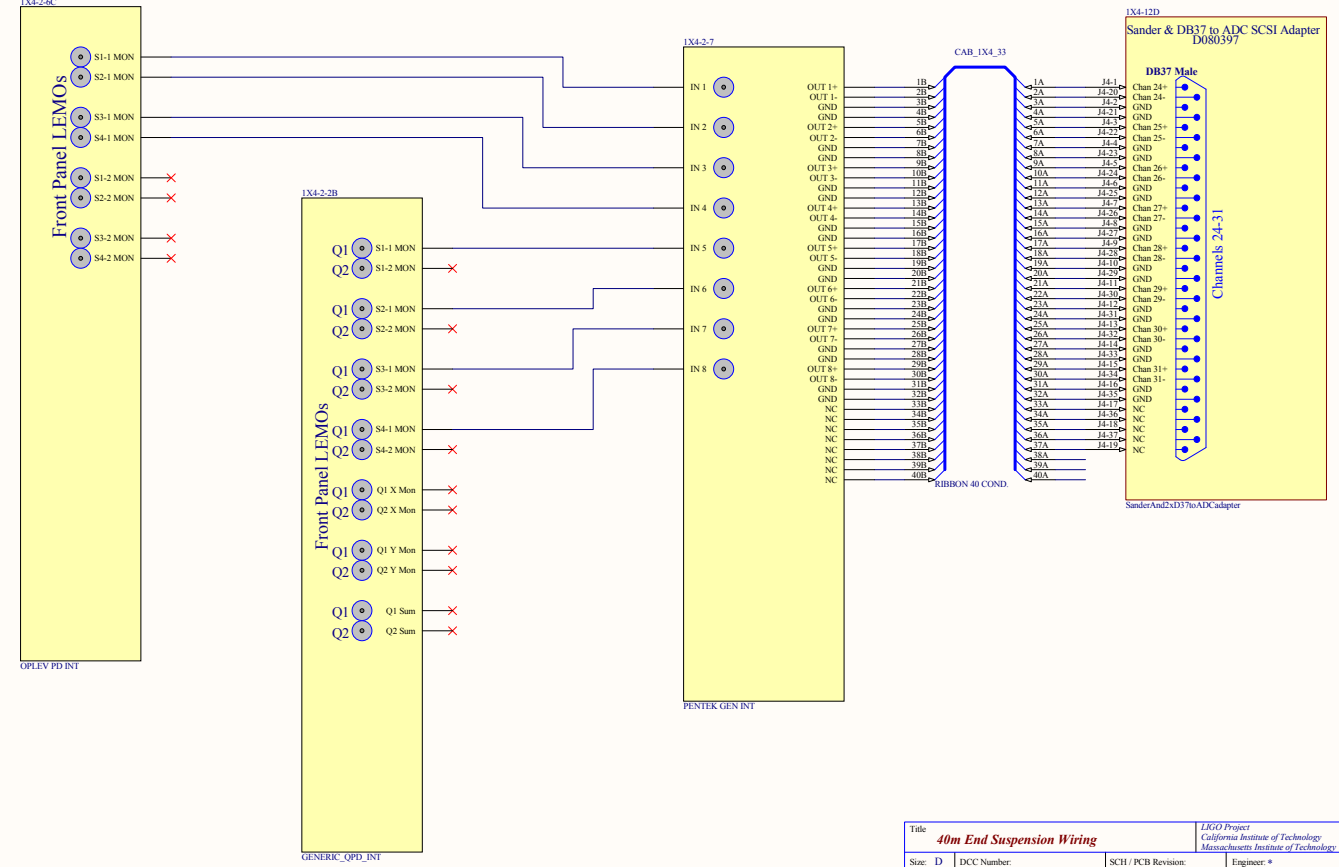
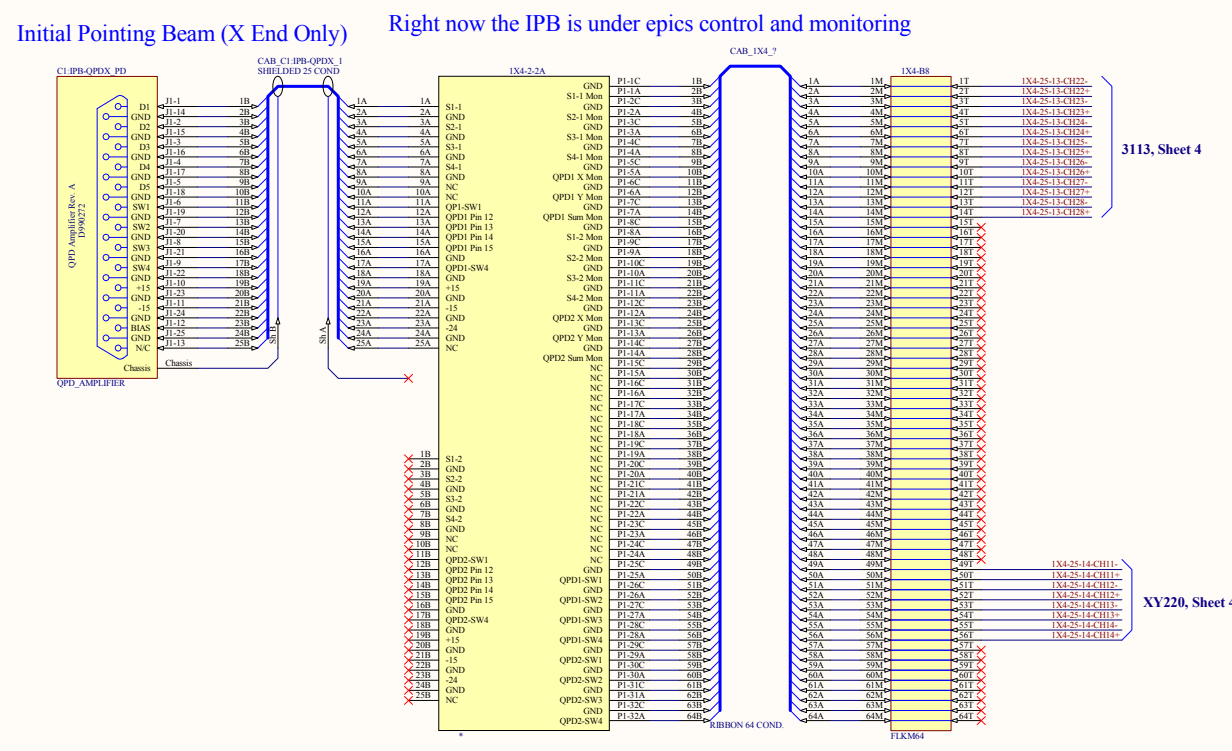


# This Page is Specific to 1X4

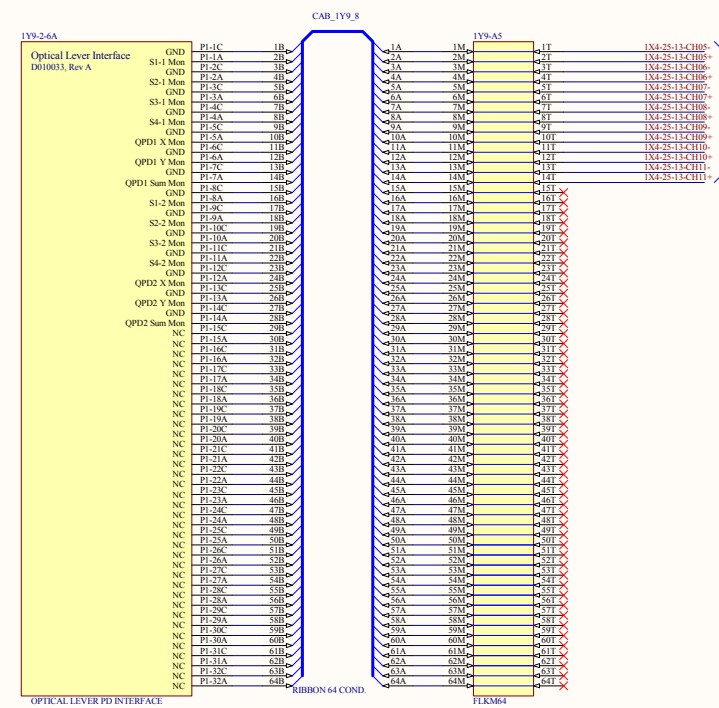
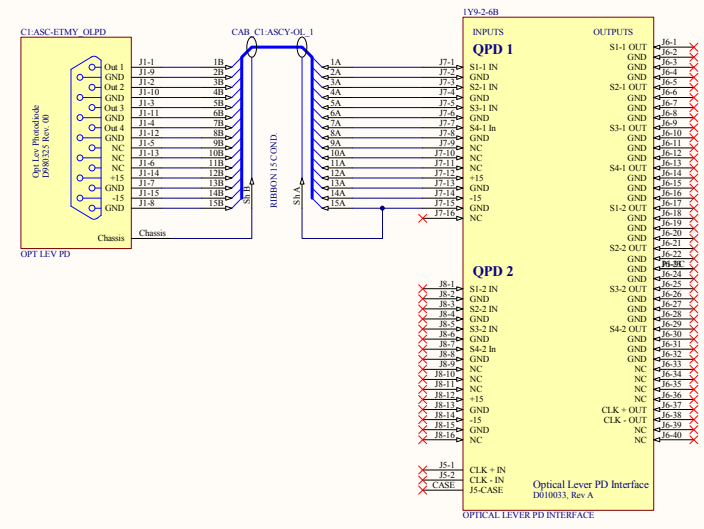


3113, Sheet 4

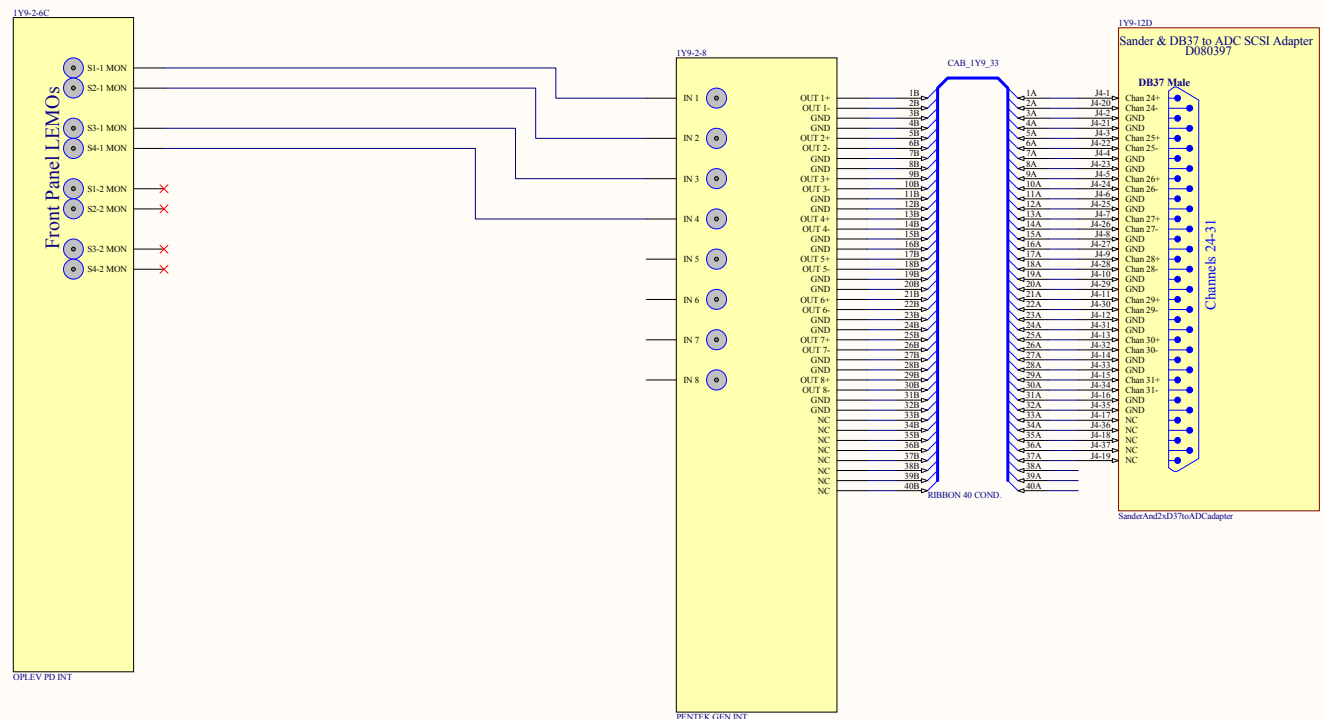
Rana thinks IPB should be hooked up as shown. Right now the coaxes go to the mon lemos of the ASC PD sheet 1. Those signals should go to fast channels.



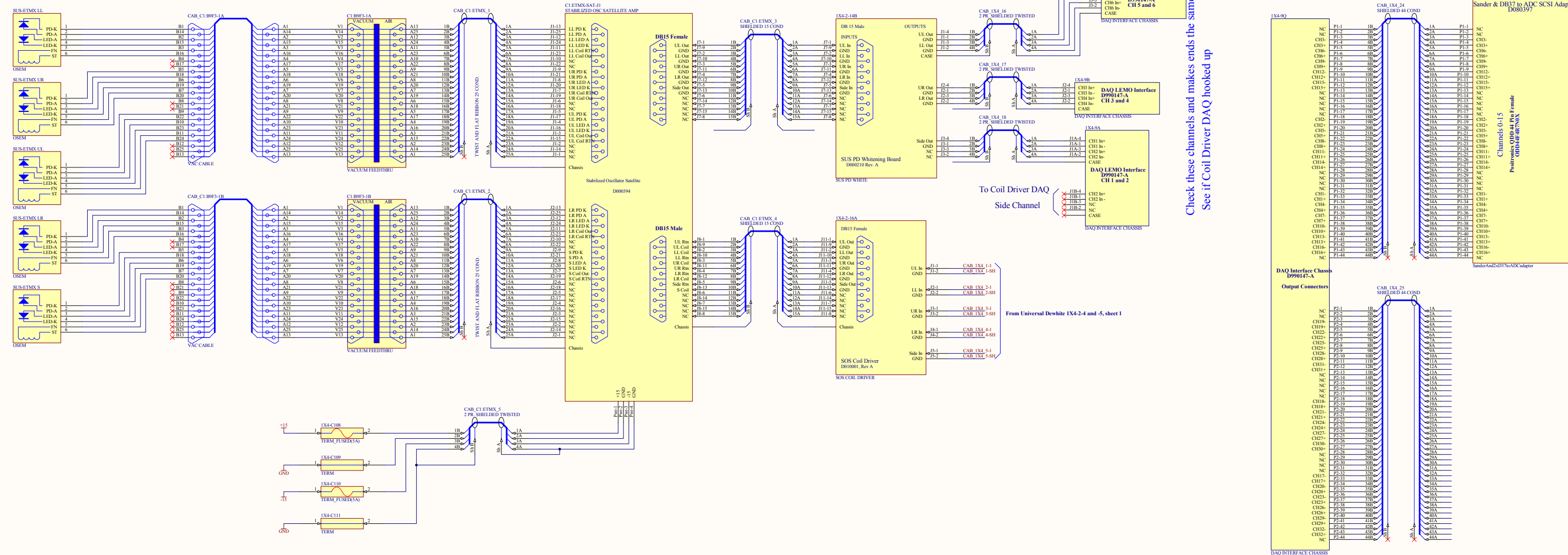
# This Page is Specific to 1Y9



3113, Sheet 4

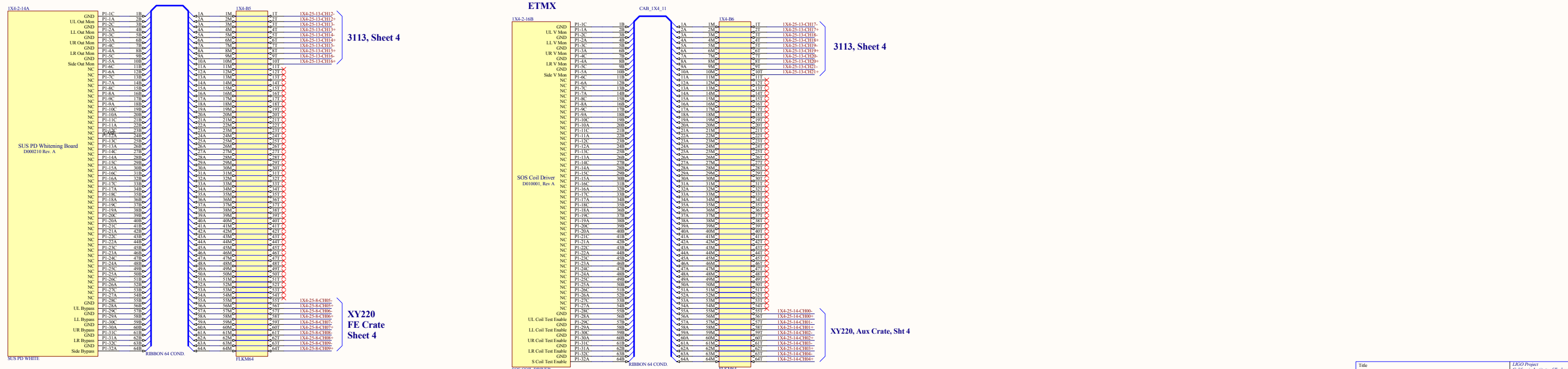


ETMX



Check these channels and makes ends the same  
See if Coil Driver DAQ hooked up

ETMX



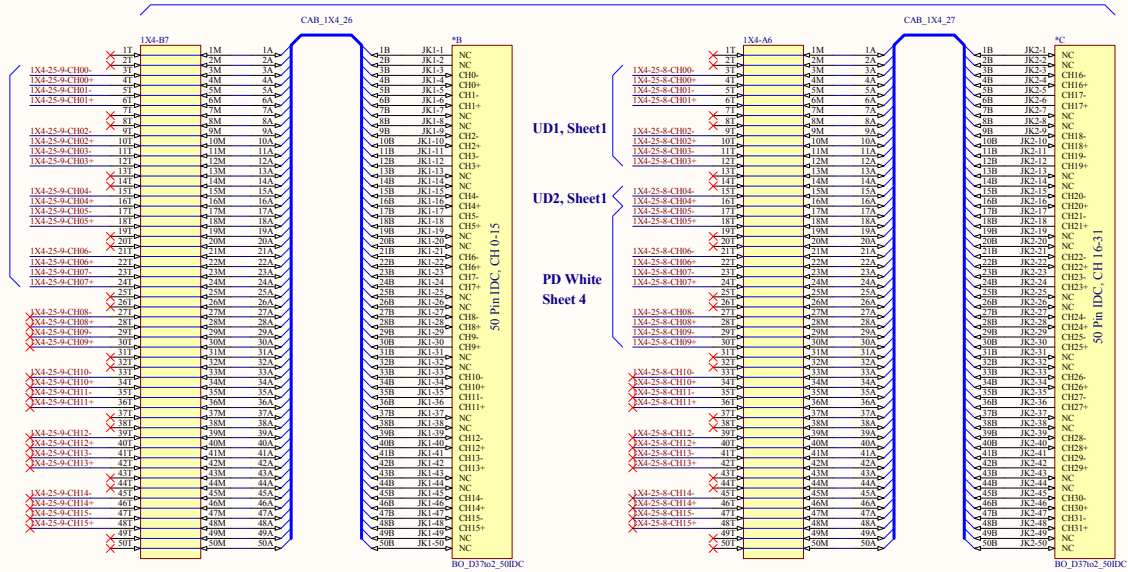
3113, Sheet 4

3113, Sheet 4

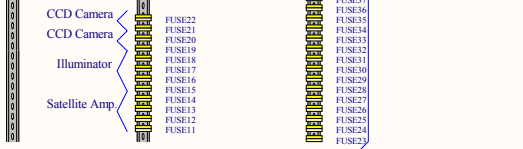
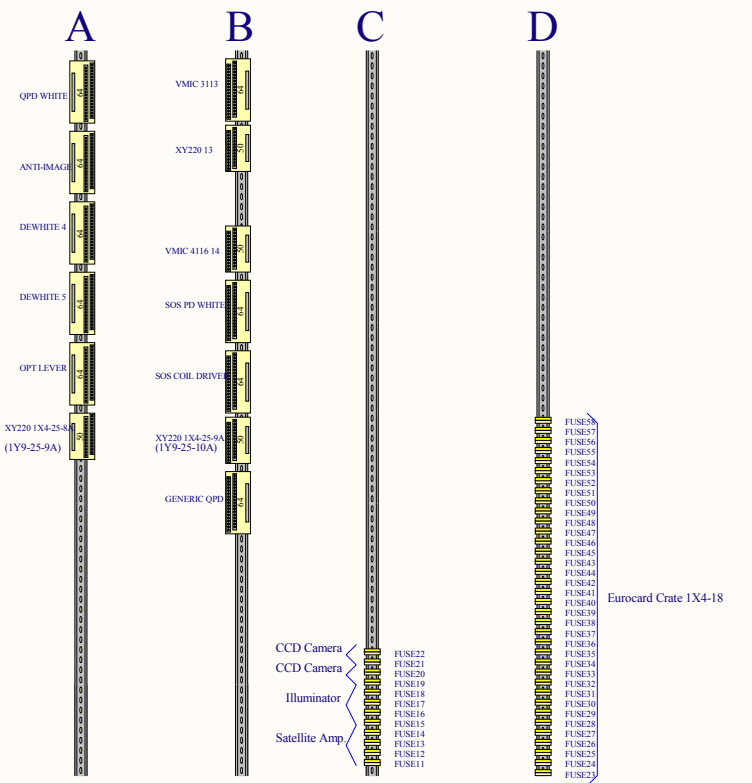
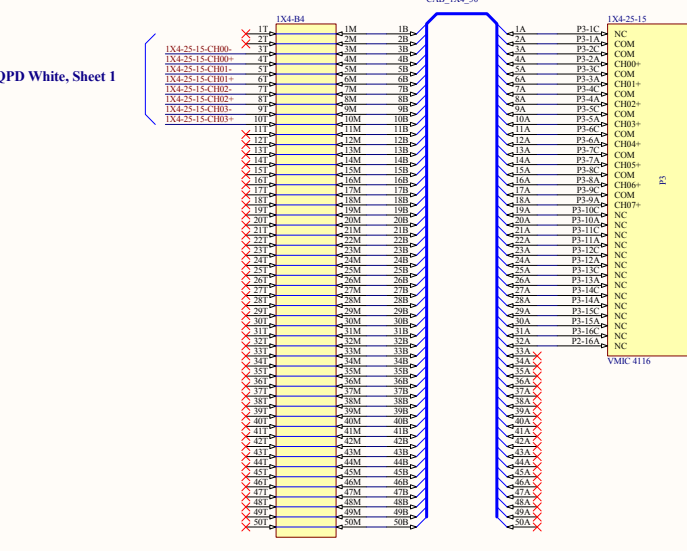
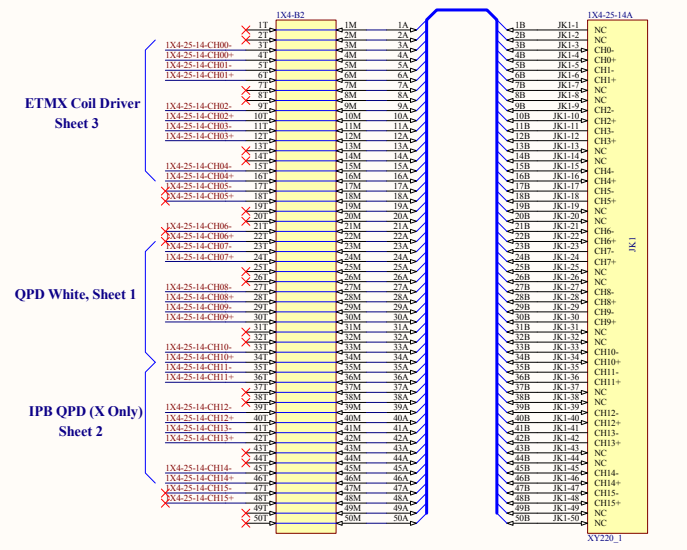
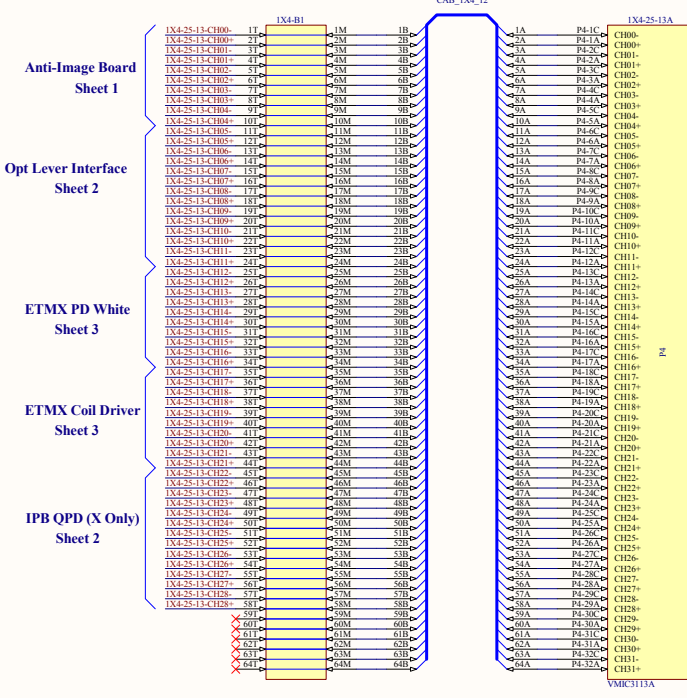
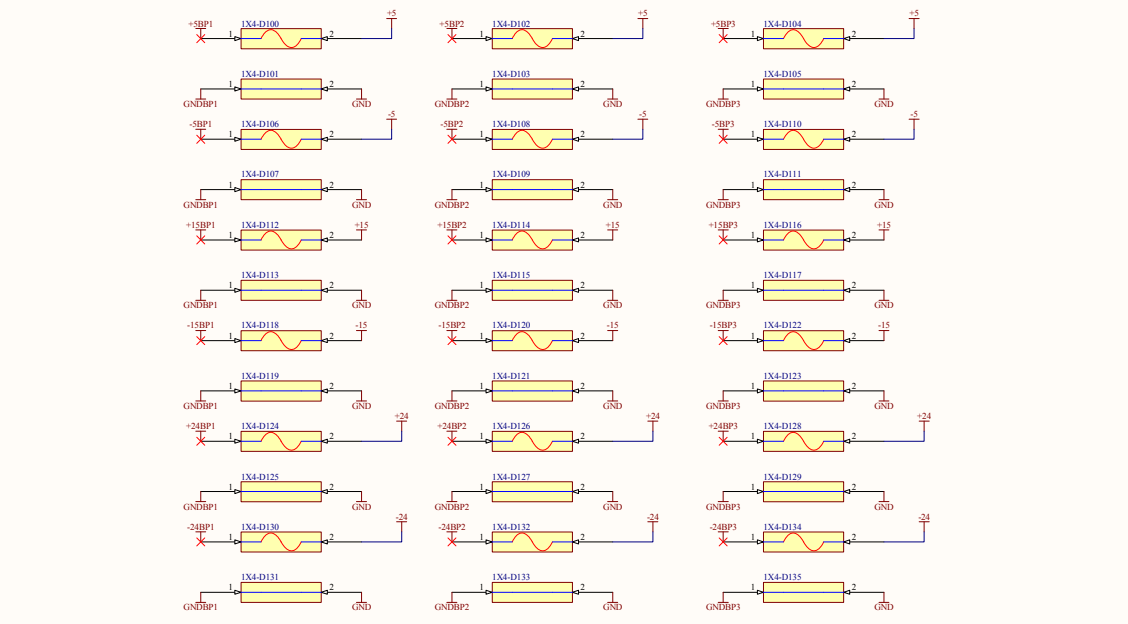
XY220  
FE Crate  
Sheet 4

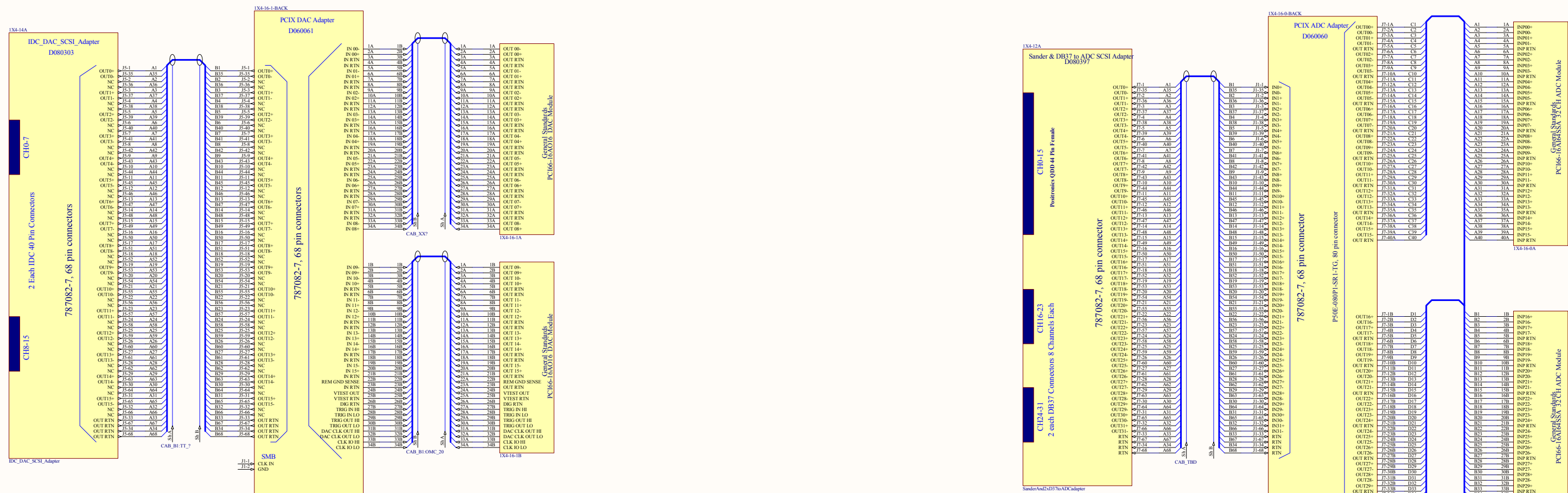
XY220, Aux Crate, Sht 4

XY220 in FE Input Crate IX4-25-8 & 9



Note: Power Connections for Eurocard modules are made through the backplane and are designated as XXBP1. Bulk power supply connections to the eurocard backplane lugs are designated +XX.





**DAC 0 Channel Index**

- CH0- ETM UL
- CH1- ETM LL
- CH2- ETM UR
- CH3- ETM LR
- CH4- ETM Sdc
- CH5- NC
- CH6- NC
- CH7- NC
- CH8- NC
- CH9- NC
- CH10- NC
- CH11- NC
- CH12- NC
- CH13- NC
- CH14- NC
- CH15- NC

Coil Signals not connected. Should they be?

**ADC 0 Channel Assignments**

| Channel # | Signal               |
|-----------|----------------------|
| 0         | ETMY Side PD         |
| 1         | ETMY Side COIL       |
| 2         | ETMY UL PD           |
| 3         | ETMY LL PD           |
| 4         | ETMY UR PD           |
| 5         | ETMY LR PD           |
| 6         | ETMY UL COIL         |
| 7         | ETMY LL COIL         |
| 8         | ETMY UR COIL         |
| 9         | ETMY LR COIL         |
| 10        | NC                   |
| 11        | NC                   |
| 12        | NC                   |
| 13        | NC                   |
| 14        | NC                   |
| 15        | NC                   |
| 16        | ASC QPD Seg1         |
| 17        | ASC QPD Seg2         |
| 18        | ASC QPD Seg3         |
| 19        | ASC QPD Seg4         |
| 20        | Transmission PD      |
| 21        | NC                   |
| 22        | NC                   |
| 23        | NC                   |
| 24        | ETM Opt Lever Seg1   |
| 25        | ETM Opt Lever Seg2   |
| 26        | ETM Opt Lever Seg3   |
| 27        | ETM Opt Lever Seg4   |
| 28        | IPB Seg1 (ETMX Only) |
| 29        | IPB Seg2 (ETMX Only) |
| 30        | IPB Seg3 (ETMX Only) |
| 31        | IPB Seg4 (ETMX Only) |

